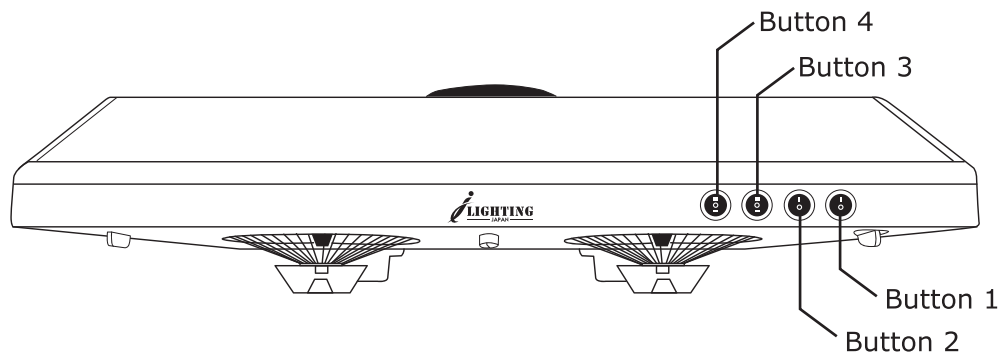


INSTRUCTIONS FOR USE



INSTRUCTIONS FOR USE

Button	Function	Instruction for use
Button 1	Light	" "=turn on,"o"=turn off
Button 2	Hood master switch	" "=turn on,"o"=turn off
Button 3	Right exhaust	"o"=turn off , "-"=slow exhaust , "="=fast exhaust
Button 4	Left exhaust	"o"=turn off , "-"=slow exhaust , "="=fast exhaust

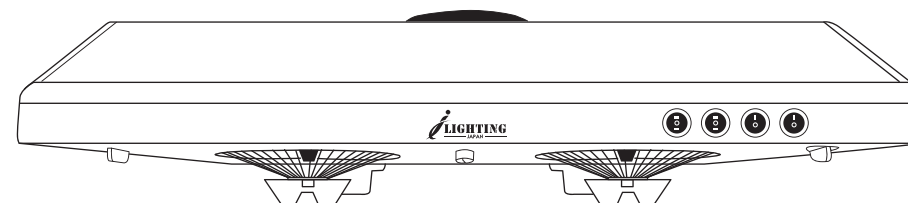
Before turn on the right/left exhaust, it needs to turn on the master switch first.

If the master switch turn off, the right/left exhaust can't turn on independently.



使用說明書 Operation Manual

抽油煙機 Range Hoods



型號 MODEL

LJ - 4800G

LJ - 4800S

星暉(日本)貿易有限公司

LIGHTNING(JAPAN)TRADING LTD.

地址: 香港荃灣半山街10-16號富華工業大廈13字樓C&D室

ADD: Flat C&D, 13/F., Fou Wah Industrial Bldg.,

10-16 Pun Shan Street, Tsuen Wan. N.T. H.K.

TEL: (852) 2490 0073 / FAX: (852) 2490 1121

WEB: www.lightninggas.com.hk

星暉(日本)貿易有限公司
LIGHTNING (JAPAN) TRADING LTD.

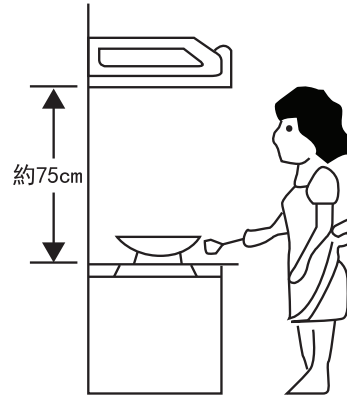
使用產品前, 請仔細閱讀本使用說明書

安裝前檢查

- 檢查配件是否齊全。
- 連接電源檢查抽油煙機各功能是否操作正常。

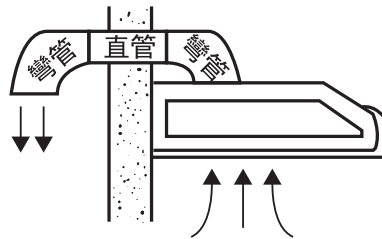
(A) 理想的安裝位置

- 抽油煙機周圍應避免門窗過多。
(打開門窗容易造成流過燃氣竈的強氣流，會嚴重降低抽油煙機的使用效果。)
- 請對正燃氣竈的爐面。
- 抽油煙機底部與燃氣竈的爐面距離以75cm左右為宜。較近的距離會有更好的排煙效果。



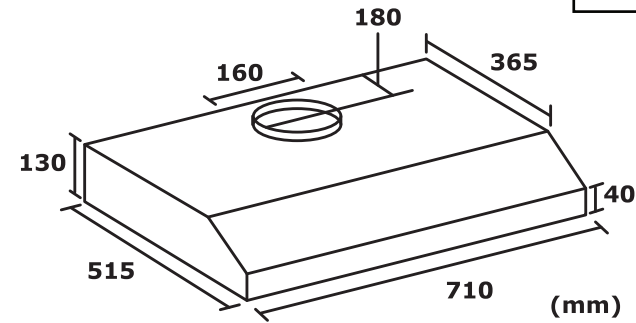
(B) 風管

- 風管應盡量避免過長同時盡量少轉彎。轉彎處應用半徑較大的弧線。風管的排風出口應盡量避免對著環境風向。風管的標準接法以兩彎管、一直管為宜。
- 風管孔的位置應盡量靠近抽油煙機，以使用較短的距離將油煙排出室外。
- 可以在玻璃或牆上開風管孔，將風管穿出室外。



DIMENSIONS (mm)

710 (W) x 515 (D) x 130 (H)



ATTENTION

- The connection power must have ground wire.
- Please always clean the range hood and oil cup.
- Please don't disassembly the range hood.
- Please don't make the air tube exhausted to other hot flue.

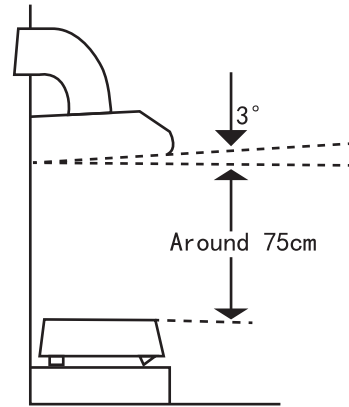
The position of air tube hole should near with the range hood, it can use the shorter distance to exhaust.

It can drilled the hole in the glass or wall. And put the air tube to outdoor.

(C) Drilled the air tube hole:

Make a mark to point the drilling area.

please do not make the unnecessary damage on the wall.



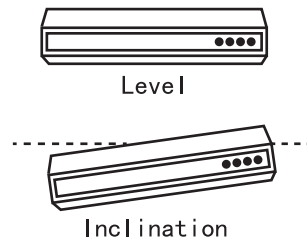
(D) Install the range hood and air tube:

Keep the range hood in level and slightly upturned.

It follows the instruction, drilled two holes level with the surface. Drive 2 steel nails in the wall and put the upper corner in the both side of the range hood.

Fit the screw in a well level position.

The tube-seat has been assembled on top of the range hood. Please put the air tube into the tube-seat and put it outdoor.

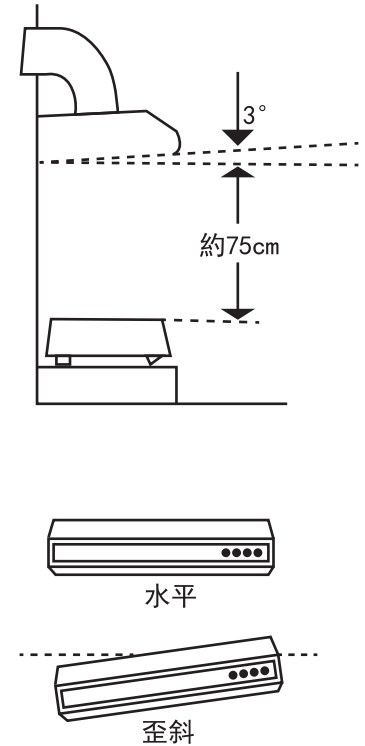


(C) 開風管孔

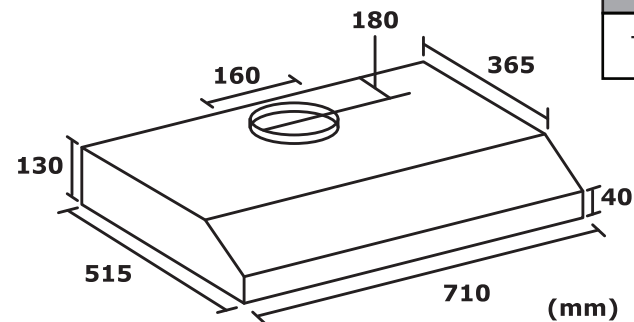
- 在選好的開風管孔處畫好開孔範圍，然後開孔。
- 鑽牆時，應注意不要對牆壁的结构及外觀造成不必要的損害。

(D) 裝設機體及風管

- 機體應放置水平，前部應略微上翹。
- 按機體外形的距離，與地面平行的方向用電鑽鑽兩個小孔，在孔中打入膠塞，在膠塞中擰入大頭自攻螺絲。
- 調節機體後部的吊鐵，將吊鐵掛在自攻螺絲上，擰緊自攻螺絲。調節機體水平並上緊螺釘。
- 將風管座套在機體上部的出風口上，將風管裝入風管座及穿出室外。



外形尺寸



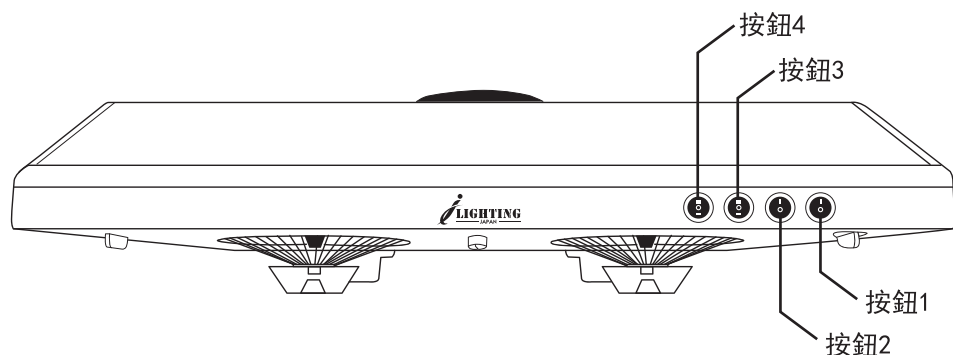
外形尺寸 (mm)

710 (W) x 515 (D) x 130 (H)

注意事項

- 必須使用有地線電源。
- 時常清除油杯中的積油。定時清潔抽油煙機扇葉及其它部位上的油污和積垢。
- 請勿自行對抽油煙機的內部進行任何拆裝或清洗。
- 請勿將抽油煙機排出的廢氣排到其他熱的煙道上。

使用方法



操作方法

按鈕	功能	操作方法
按鈕1	照明燈	“ ” 為啟動照明燈, “o” 為關閉照明燈
按鈕2	風扇總開關	“ ” 為啟動風扇, “o” 為關閉風扇
按鈕3	右風扇	“o” 為關閉風扇, “-” 為慢風力, “=” 為快風力
按鈕4	左風扇	“o” 為關閉風扇, “-” 為慢風力, “=” 為快風力

- *要先開啟風扇總開關, 才能獨立開關右風扇或左風扇*
- *若果風扇總開關關上了, 右、左風扇不能獨立啟動*

INSTRUCTION OF INSTALLATION

*Please check the following items before installation:

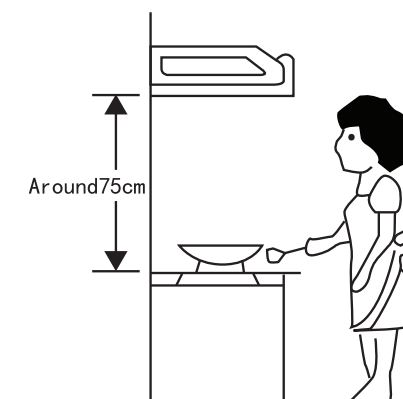
- Check all the accessories.
- Connect the power and turn on the button of motors and lighting system for checking their operation.

(A) Ideal installed position:

Keep the range hood far away from the window and door for avoiding the air convection. (The air convection will affect the range hood function.)

The range hood should on top of the stove.

The distance between the bottom of the range hood and top of the stove should around 75cm. The shorter distance can make the range hood more effective.



(B) Air tube:

The optimum connection of air tube is a big elbow, a straight and a small elbow tube. Too long distance between outlet of air tube and range hood is recommended to avoid, or the longer air flow will raise the back pressure and reduce the exhausted effect.

