



星暉爐具貿易有限公司
LIGHTING GAS STOVES TRADING LTD.

抽油煙機
Range hood

MODEL NO.: LGH90TWL

用戶手冊
User's Manual

感謝您購買本公司的產品，使用產品前，請務必注意安全操作須知。請在閱讀後，妥善保管好說明書，以備查閱。因為本公司的產品不斷改進，如有變更，恕不另行通知。

Thank you for purchasing our product. Before using the product make sure that you have followed the safety instructions. Please keep this manual for future reference. There will be increase improvements on our products. Information is subject to change without prior notice.

內容 Content

安全注意事項	P.1
產品結構	P.2
產品安裝	P.3-6
產品操作	P.7
保養／清潔方法	P.8
故障排除	P.9
技術規格	P.10

Safety Attention Notes	P.11
Product Structure	P.12
Product Installation	P.13-16
Product Operation	P.17
Maintenance/cleaning method	P.18
Troubleshooting	P.19
Technical specifications	P.20

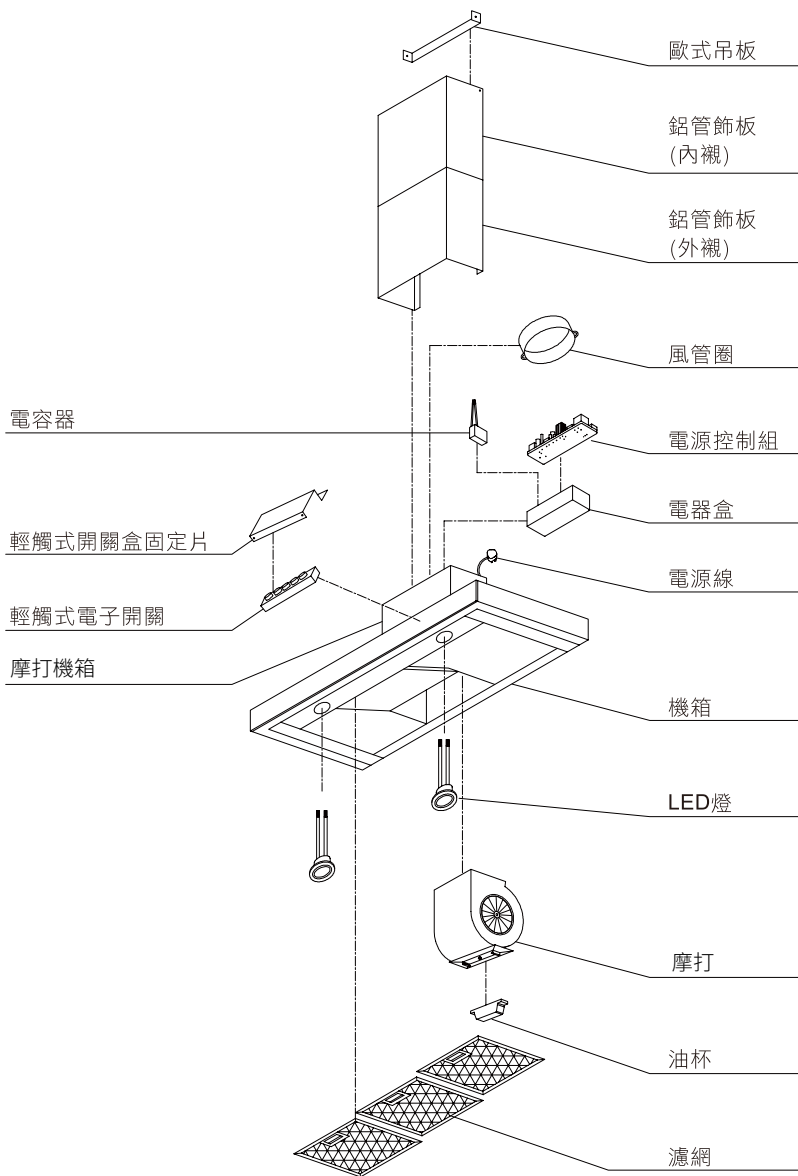
安全注意事項

在安裝及操作抽油煙機之前，請仔細閱讀本說明書。

- ▶ 在開啟抽油煙機前，請先將煮食用具放在煮食爐上。不可讓爐火直接烘烤抽油煙機。
 - ▶ 切勿在烹飪時把易燃調味料如酒類倒在食物上燃起火焰。這樣可引致抽油煙機起火和產生危險。
 - ▶ 煮食時若油鍋著火，應立即關掉抽油煙機並停止使用。
 - ▶ 如發現抽油煙機有損壞或受到外力猛烈撞擊，請立即停止使用。關掉抽油煙機電源、拔下電源線插頭或關掉固定線路上的獨立開關掣。以避免產生觸電、短路或火災等危險。並應立即聯絡總代理安排檢修。
 - ▶ 請嚴格依照本說明書內所述的方法操作及清潔抽油煙機，以免發生危險。
 - ▶ 在清潔抽油煙機前，務必關掉電源及拔下電源插頭。
 - ▶ 切勿用水沖洗或噴清潔劑在摩打和控制面板上。
 - ▶ 切勿使用汽油、苯或其他類似化學溶液清潔抽油煙機。
 - ▶ 切勿將任何物件（如針或金屬線）插入濾網。
 - ▶ 切勿用濕手操作抽油煙機或插入或拔出插頭。
 - ▶ 切勿將電源線隨意放在桌上或懸掛在櫥櫃邊或讓其接觸熱的表面。切勿在電源線纏結的情況下操作抽油煙機，否則會加快電源線的損耗。
 - ▶ 請勿自行拆卸、維修或改裝抽油煙機。如要維修，請聯絡總代理的服務人員。
 - ▶ 如電源線損壞，必須由製造廠或其服務處或具有類似資格的人員更換以避免發生危險。
 - ▶ 本產品只用作抽油煙機，不可用於其他目的。（若將本產品用作抽油煙機以外的用途，可能會發生故障及產生危險。）
 - ▶ 當機身或零件出現故障導致不能正常運作，請勿自行操作或更換零件或配件，以免發生危險。
 - ▶ 身體、感官或精神能力不足（包括兒童），或缺乏相關經驗和知識的人不可使用此抽油煙機，除非他們是在被監督或指導下方可使用。
 - ▶ 請監督兒童不可玩耍抽油煙機。
 - ▶ 8歲以上兒童及身體、感官或精神能力不足的人，或缺乏操作相關經驗和知識的人必須在被監督或指導下使用抽油煙機；監督者須負責他們是在安全情況下使用抽油煙機及明白其相關危險。
 - ▶ 不可讓兒童玩耍抽油煙機或在其附近玩耍。除非年滿15歲並在被監督的情況下，否則不可讓兒童進行清潔或保養抽油煙機。請讓8歲以下兒童遠離抽油煙機及電源線。
 - ▶ 當抽油煙機與燃氣或其他燃料體同時使用時，房間內需有充分的通風。
 - ▶ 若未依此說明書執行清潔，可能引起火災。
 - ▶ 不可在抽油煙機下方直接燃燒。
 - ▶ 排出的油煙不得經由其他燃氣產品或其他燃料之排氣通道排出。
 - ▶ 爐具或爐架與抽油煙機最低部份的距離至少為65cm至70cm。
 - ▶ 排出油煙的程序需符合當地相關的排放氣體法規。
- ▶ **⚠ 注意：**
在煮食過程中，抽油煙機可接觸的部份可能會變燙。

產品結構

註：各型號的結構大致相同，以下圖片僅供參考。



產品安裝

安裝注意事項

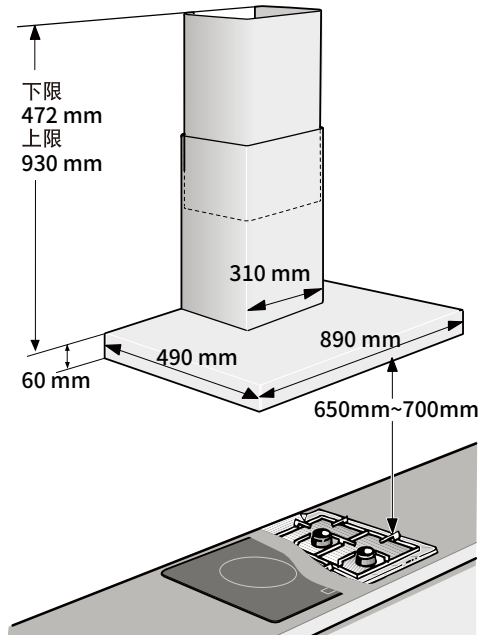
- ▶ 當舊機換新機時，務必將牆上吊掛用的原有螺絲換新，以防舊螺絲已鏽蝕或斷裂造成危險。
- ▶ 懸掛後，機體必須保持一定水平。
- ▶ 抽油煙機必須接地。安裝前務必先切斷電源。
- ▶ 為避免危險，切勿將地線接駁至水管、易燃氣管或電話線等。
- ▶ 抽油煙機安裝位置應避免附近有太多門窗，以免抽油煙機無法充分發揮排煙效果。
- ▶ 抽油煙機及其機件必須安裝牢固，以免產生危險。
- ▶ 使用此抽油煙機前，必須依照本說明書進行正確安裝。安裝者有責任選擇安全及適當位置進行裝設，並確保抽油煙機安裝完畢後能正常運作。
- ▶ 此抽油煙機只適用於港澳地區且只供家居使用。機身不可安裝在室外，且不能於無人在場下運作。如因使用或安裝不當而導致故障，代理商概不負責。
- ▶ 請避免讓兒童或有精神缺陷的人接觸或操作此抽油煙機。請照顧兒童，勿讓兒童在抽油煙機附近玩耍。不可讓兒童進行清潔或保養此抽油煙機的工作。
- ▶ 打開包裝後，請即檢查抽油煙機有否破損或損壞。如已損壞，請勿進行任何安裝工作。
- ▶ 打開包裝後，請檢視附件物料如保修證、使用說明書等（詳列於第5頁）是否齊全。請參見第5頁的安裝工序圖。該安裝工序圖及其相關說明僅供參考。
- ▶ 安裝前先接上電源，測試各項功能是否運作正常（摩打能夠運轉、照明能夠開啟）。切勿伸手或將其他物件插入機身內部，以免觸及風輪而產生危險或損壞機件。

注意：

操作此抽油煙機時，不建議使用外置計時器。

產品安裝

機身尺寸圖



產品外觀、顏色及規格均以實物為準，如有變更，恕不另行通知。

安裝方法概述

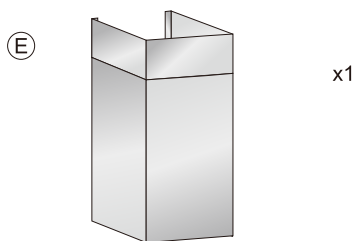
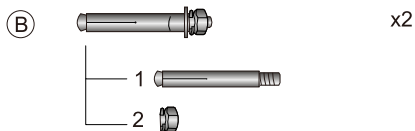
- ▶ 安裝主機體：在已選定的水泥牆面安裝位置上，開直徑8mm的圓孔，轉出金屬膨脹螺絲的螺帽，將金屬膨脹螺柱及塑料膨脹螺柱打入鑽孔內，之後將螺帽鎖緊在背板鑰匙形的孔。請勿將抽油煙機直接安裝在矽酸鈣板或其他木質等未加固的牆面上！
- ▶ 安裝排煙管：將排煙管一端套入出風口座，另一端管口固定於排煙出口的位置。為確保排煙效率，建議使用5.5吋闊的排煙管。排煙管應盡量平整排列，避免過長（以1至1.8米的長度最理想）。如不能平整排列，排煙管彎度應盡量大且不多於一個彎位。位於室外的排煙管管口必須向下垂直放置，以防被倒流的雨水損壞機身。

⚠ 注意：

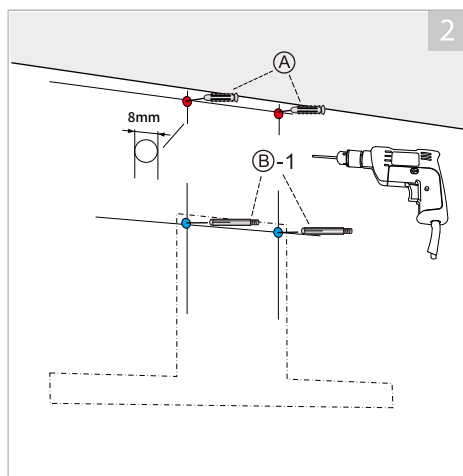
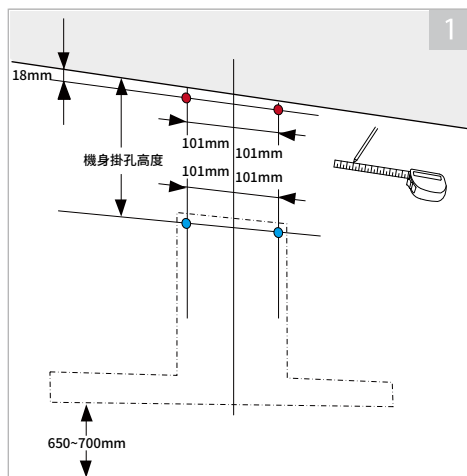
- 安裝排煙管的方法僅供參考。施工必須由專業工程人員進行，或請諮詢總代理。
- 安裝時，應確保抽油煙機和爐架保持650-700mm距離，這樣能確保抽油煙機在安全及高效的環境下操作。

產品安裝

跟機零件



安裝工序圖



- ▶ 在已選定的水泥牆面上，從天花到機身底部位置畫一條中線。

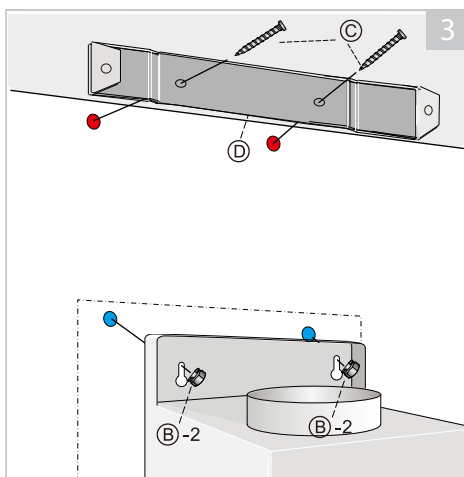
從天花板下方18mm及從中線左右兩側101mm的位置，各做個記號。

制定排風管及電源插座位置後，從天花下方選定適當的機身掛孔高度，在此高度中線左右方距離各101mm的位置，各畫上一個記號點。

- ▶ 在4個記號位置各鑽一個8mm的孔，然後將：

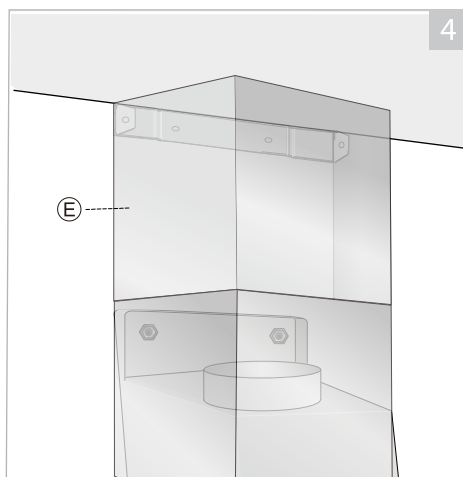
A打入鑽孔，及
B-1打入鑽孔。

產品安裝

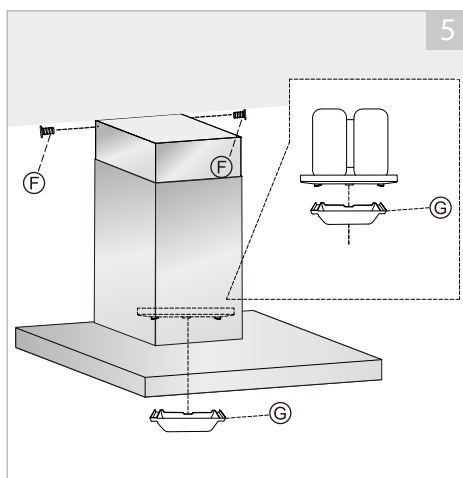


- ▶ 將D固定在牆上兩個鑽孔，用C將D旋緊在塑料膨脹螺柱內。

將機身摩打上方的兩個鑰匙形孔對準牆上的鑽孔，套上B-2（金屬膨脹螺帽）並用金屬螺絲旋緊機身。



- ▶ 掛上E鋁罩將摩打遮蓋。



- ▶ 將鋁罩上方兩邊的固定孔對準D左右方的鎖孔。用F將吊板旋緊，然後將G油杯裝入機身適當位置。

⚠ 注意：

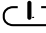
必須用塑料膨脹螺柱A固定鋁罩，及用金屬膨脹螺絲B固定機身。由於鋁罩重量比較輕，而機身比較重，因此A與B兩者不可互換，否則機身可能會墜下而發生危險。
安裝工序圖僅供參考。如有任何安裝上的問題，歡迎致電總代理諮詢。

產品操作

控制面板

▶ 依所需功能，按機體前方之開關按鈕。

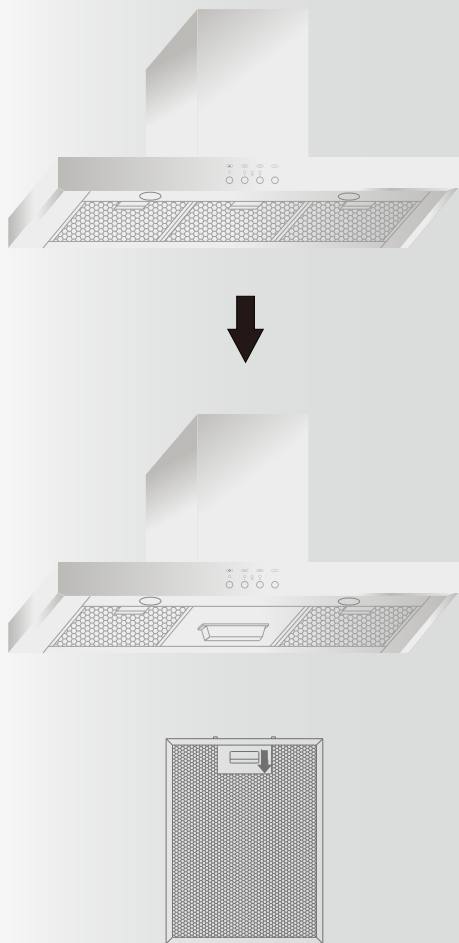
圖示	功能說明
	啟動摩打運轉與延遲關閉按鈕。
	控制摩打運轉降低切換按鈕。
	控制摩打運轉上升切換按鈕。
	控制照明燈亮與熄按鈕。

說明： ▶ 按下啟動按鈕  後摩打會以中速運轉，段位指示燈恆亮，按一次，摩打會以當前運轉段位進入延遲關閉模式，指示燈閃滅，一分鐘後關閉摩打運轉。

▶ 摩打運轉時啟動按鈕  按兩次直接關閉摩打運轉。

清潔油杯及濾網

油杯及濾網裝拆圖：



- ▶ 金屬濾網應每一至三天清洗，或視乎使用頻率。
- ▶ 用手推濾網框便可取出濾網(如圖示)。裝回濾網時，只需將濾網框按進機身狹槽，再用手推進。

清潔方法：

- ▶ 清潔時，可用熱水清潔機身表面，並用布輕拭濾網，然後擦乾即可。
- ▶ 若油污過多而不易清洗，可將濾網置於滾水內一分鐘，即可將油污去除。
- ▶ 在每餐煮食後隨即清潔濾網，可常保濾網潔淨與吸力順暢。
- ▶ 建議定期更換新濾網。(請洽經銷商)

⚠注意：

經常清潔濾網，可保持抽油煙機的最佳排煙效果。

經常清潔濾網，可避免濾網內油污過多而導致油污經由煮食時遇熱溶化而滴油。

建議在每餐煮食後，均以熱水沾濕抹布輕拭機體下方邊框，這樣可避免油污附著而導致遇熱溶化滴油。

嚴禁在抽油煙機下方烹飪時加入酒精等易燃佐料，因熱鍋上的火焰會被抽油煙機吸入而損毀機身及濾網。

故障排除

使用時，如在產品操作上發現問題，在維修前請先對照下表進行檢查及處理。

狀況	可能的原因	解決方法
抽油煙機不能啟動	未能正確啟動。	檢查是否已觸按面板上的開／關按鈕。
	電源插座無電。	檢查廚房其他家電是否運作正常。
	未接上電源。	插上電源插頭。
吸力不夠	機身與爐面的距離太遠。	請參考「產品安裝」內的安裝距離。
	空氣對流太大。	門窗是否開啟太多？請適當關閉一些門窗。
	排風管過長或彎位太多。	請參考「產品安裝」內的排煙管安裝。
	室外風力太強。	檢查安裝於室外的排煙管。
抽油煙機有異常聲響或震動	濾網安裝不當。	請檢查濾網門是否正確置入油煙機的門鎖位。
	濾網積滿油垢。	請清潔濾網。
	油杯安裝不當。	請檢查油杯是否正確安裝。
照明燈不閃／不能開啟	照明燈故障。	請聯絡服務人員。
控制面板異常	控制面板故障。	請聯絡服務人員。
機體滴油／滲油	濾網內油污過多。	清潔濾網。
	機身不平衡。	檢查機身是否處於水平位置。

注意：

如以上問題仍未解決，請切斷電源或關閉獨立開關掣，並聯絡總代理。另外，請確保在檢修時，向檢修人員出示有效的保修證及收據。切勿自行拆卸及修理產品，以免產生觸電危險及損壞產品。

抽油煙機

型號 LGH90TWL

額定電壓 AC220V 50Hz

額定功率 255W

照明燈功率 3W LED x 2

生產地 台灣

Safety Attention Notes

Please read before installation and usage

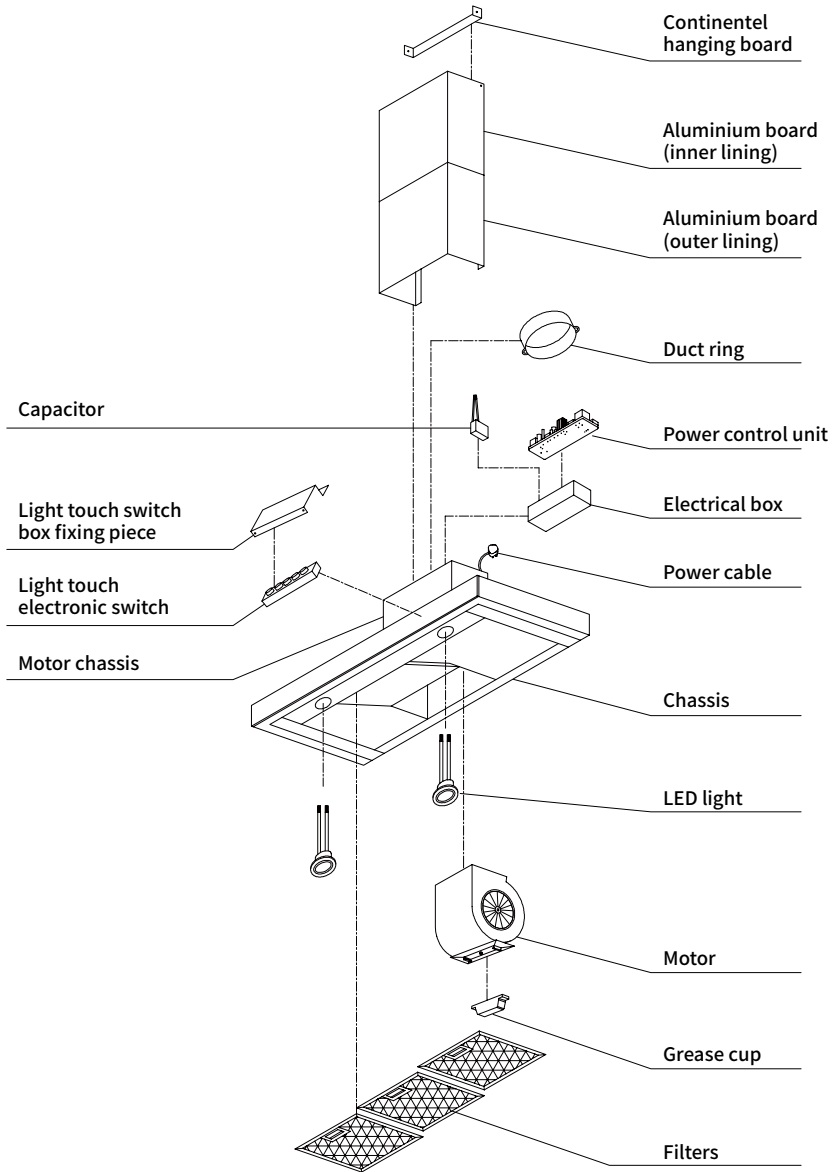
- ▶ Please place the cooking utensil onto the stove before switching on the range hood. Never let stove fire heat the range hood directly.
- ▶ Never put fire on the cooking utensil by for example sprinkling inflammable seasoning like alcohol onto cooked food. This is to avoid burning the appliance and other hazard.
- ▶ Stop usage and switch off the range hood immediately once cooking oil is on fire.
- ▶ If the product is damaged or hit by outward force violently, please stop using it immediately. Turn off the power, unplug the power plug or switch off the independent switch of the fixed line. This is to avoid risk like electric shock, short circuit or fire hazard, etc. Please contact the sole agent immediately to arrange checking and repair.
- ▶ Please follow ways of using and cleaning the range hood suggested in this manual strictly to avoid hazard.
- ▶ Power must be switched off and the power plug is unplugged before cleaning. Never sprinkle any water or cleaning detergent onto the motor or control board.
- ▶ Never use gasoline, benzene, or any similar chemical solution to clean the range hood.
- ▶ Never put any material (for example needle or metal wire) into the filters.
- ▶ Never operate the product, insert or unplug the power plug with wet hands.
- ▶ Never leave the power cord on the table or the edge of the cabinet or any heated surface.
- ▶ Never operate the product while the power cord is tangled; otherwise it will accelerate the wearing out of the power cord.
- ▶ Never dismantle or try to repair or change this product. For repair, please contact the service personnel of the sole agent.
- ▶ If the supply cord is damaged, it must be replaced by manufacturer, its service agent or similar qualified person in order to avoid a hazard.
- ▶ Use the product exclusively as a range hood.
- ▶ Never use this for any other purpose. (If using this product for any other purpose, there may result in malfunction and risks.)
- ▶ When there is any malfunction on the appliance or on the parts and operation cannot run as normal, to avoid hazard, never operate or change any parts or components on your own.
- ▶ The appliance is not to be used by persons (including children) with reduced physical, sensory or mental capabilities, or lack of experience and knowledge, unless they have been given supervision or instruction.
- ▶ Children being supervised not to play with the appliance.
- ▶ This appliance may be used by children over the age of 8 years old and by persons with reduced physical, sensory or mental capabilities or by persons with a lack of experience or knowledge if they are supervised or are instructed by a person responsible for their safety how to use the appliance safely and have understood the associated hazards.
- ▶ Children must not play with, on, or around the appliance. Children must not clean the appliance or carry out general maintenance unless they are at least 15 years old and are being supervised. Keep children below the age of 8 years old at a safe distance from the appliance and power cable.
- ▶ There shall be adequate ventilation of the room when the range hood is used at the same time as appliances burning gas or other fuels.
- ▶ There is a fire risk if cleaning is not carried out in accordance with the instructions.
- ▶ Do not flame under the range hood.
- ▶ The air must not be discharged into a flue that used for exhausting fumes from appliances burning gas or other fuels.
- ▶ The minimum distance between the supporting surfaces for the cooking vessels on the hob and the lowest part of the range hood shall be 650-700mm.
- ▶ Local regulation concerning the discharge of air have to be fulfilled.

Caution:

Accessible parts may become hot when used with cooking appliances.

Product Structure

Note: The structure of various models is similar in general. The following picture is for reference only.



Product Installation

Installation attention notes

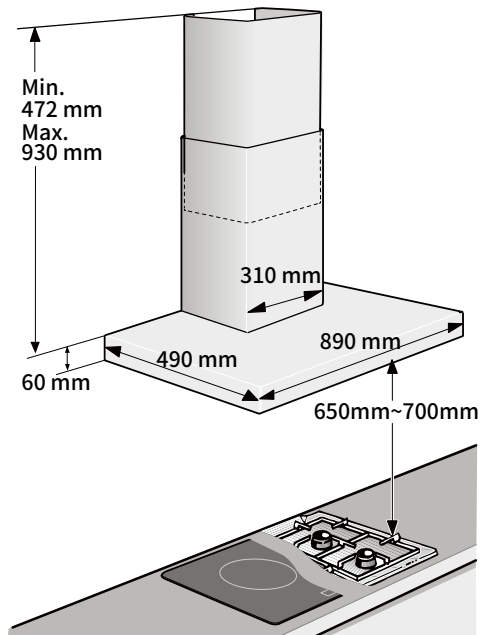
- ▶ If replacing old appliance with a new one, old screws for the previous chimney hood must be removed from the wall and replaced by new ones. This is to avoid any risks resulting from rusty, worn out or broken screws.
- ▶ The appliance must be balanced horizontally after being wall-mounted.
- ▶ The power plug must have ground wire. It must be unplugged during installation.
- ▶ To avoid danger, the ground wire must not be connected to water pipe, inflammable gas pipe or telephone wire etc.
- ▶ In the surrounding area for chimney hood installation, abundant air circulation caused by open door and window should be minimized, with this the chimney hood may not perform its extraction function as well as it should.
- ▶ The chimney hood and all the various parts must be installed securely; otherwise it may result in danger.
- ▶ This appliance must be installed correctly according to this manual before it can be used. The installer bears the responsibility to ensure that the appliance is in a safe and proper location hence installation can proceed and to ensure that the appliance can work as normal after installation.
- ▶ This appliance can only be used at home in Hong Kong and Macau. This appliance cannot be installed outdoors and cannot be used without human presence. The agent will not bear any responsibility for any appliance malfunction arising out of improper usage or improper installation.
- ▶ Please prevent children or people with mental problem from touching or operating this appliance. Please take care of children and prevent them from playing near the appliance. The cleaning and maintenance process for this appliance cannot be done by children.
- ▶ Please check immediately if there is any breakage or damage on the appliance once it is unpacked. Please stop all installation process if the appliance is damaged.
- ▶ Please check if all the attached materials such as warranty certificate, manual are intact (as listed on Page 15) once it is unpacked. Please refer to the installation process diagram on Page 15. The installation explanation about the chimney hood diagram is for reference only.
- ▶ Please test if various parts can function properly with power connection before installation (motor can run, light can be turned on). Never insert hands or any materials into the inside part of the chimney hood as touching of the mechanical fan can cause danger of appliance damage.

Attention:

It is not recommendable to use external timer for the operation of this appliance.

Product Installation

Appliance body dimension diagram



Product appearance, colour and specifications are subject to change without prior notice, and the actual product shall prevail.

Installation overview

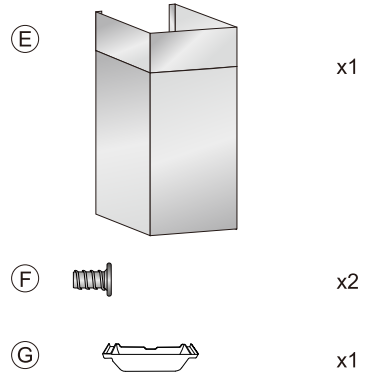
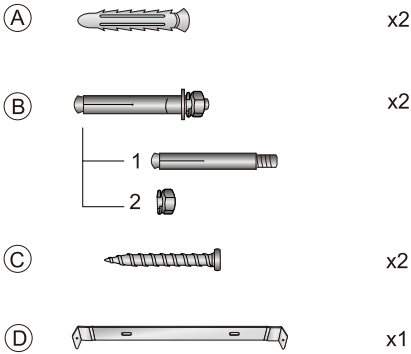
- ▶ Appliance installation: On the cement wall surface chosen as the installation location, drill a hole of diameter 8mm, take out the nut of the expanded metal screw, put the metal expansion bolt and plastic expansion bolt into the hole. After that, lock the nut with the backboard key-shape hole. Do not install directly onto calcium silicate board or any other decoration wood board which is not strengthened!
- ▶ Installation of the exhaust pipe: Put one end of the exhaust pipe into the duct and secure the other end of the exhaust pipe onto the outlet of the appliance. To ensure extraction capacity, it is recommendable to use exhaust pipe of 5.5inch. Exhaust pipe should be placed horizontally and over-length should be avoided (length of 1 to 1.8 meter is appropriate). If it cannot be placed horizontally, bending angle should be maximized and there should not be more than one bending in total. The outdoor exhaust pipe and must be facing down vertically for air evacuation and to avoid rain water and winding back from damaging the chimney hood.

⚠ Attention:

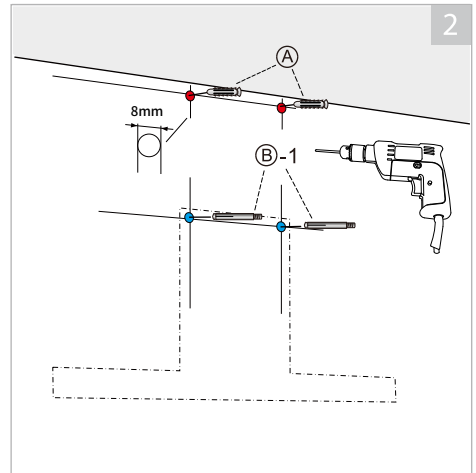
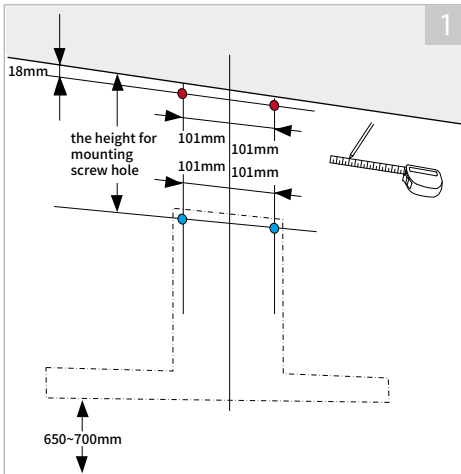
- The installation of the exhaust pipe is for reference only. Construction must be done by professional engineers, or please consult the sole agent.
- To ensure operating under a safe and efficient condition, the distance between the supporting surfaces for the cooking vessels on the hob and the lowest part of the range hood shall be 650-700mm.

Product Installation

Attached parts



Installation process diagram



- ▶ On the chosen cement wall surface, draw a line in the middle from the ceiling to the bottom of the appliance.

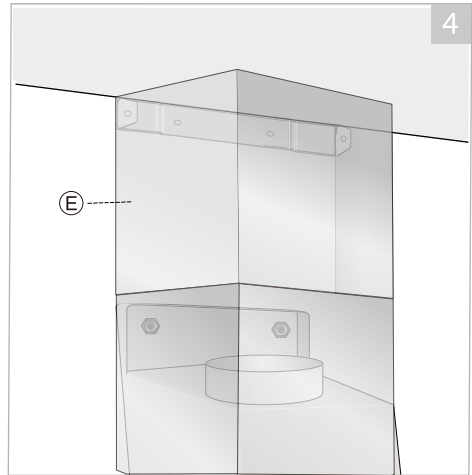
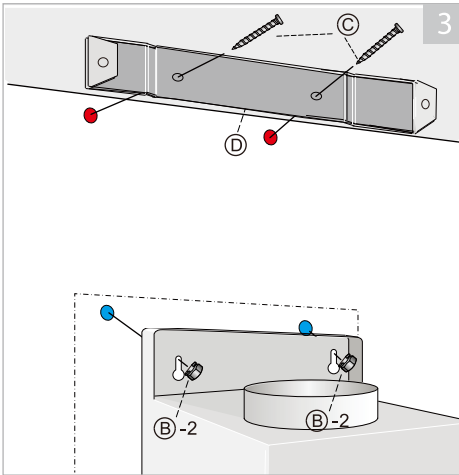
From 18mm under the ceiling and 101mm on the left and right from the middle line, draw a mark on each side.

After determine the location of flue and power socket, define the height for mounting screw hole. From 101mm on left and right from the middle line at the mounting height, draw a mark on each side.

- ▶ Drill a hole of 8mm onto each of the 4 marks and then:

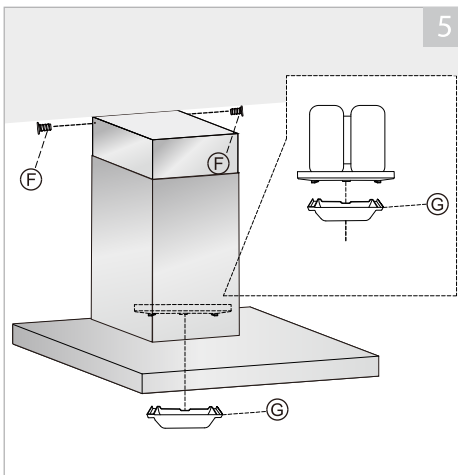
Put A onto the holes,
Put B onto the holes.

Product Installation



- ▶ Put D outside the two holes and then use C to tighten the plastic expansion bolt in order to secure D. Place the two key-shape holes of the upper part of the appliance motor close to the holes and use B-2 (the nut of the expanded metal screw) to tighten the appliance with the metal screw.

- ▶ Place E aluminium board to cover the motor.



⚠ Attention:





Use plastic expansion bolt A to secure the hanging board; metal expansion screw B to secure the appliance. As the hanging board is light while the appliance is heavy, A and B are not interchangeable; otherwise the appliance may fall down and it may cause dangerous. This installation process diagram is for reference only. For any problem on installation, please feel free to call the sole agent for consultation.



- ▶ There are two holes in the upper part of the two sides of the aluminium board, which should match the left and right small holes of D. Use F to tighten the hanging board and install G grease cup into the appliance.

Product Operation

Control board

▶ Press the button for necessary function:

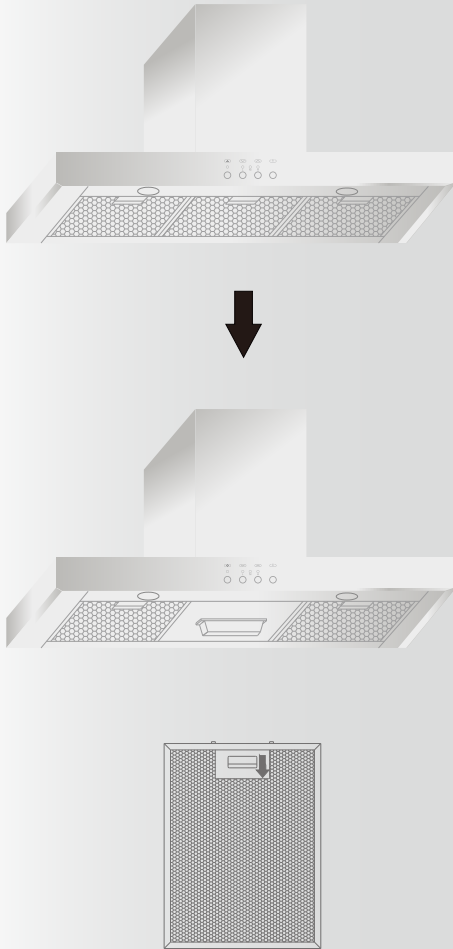
Button	Function
	Start motor or grease-off mode.
	Lower speed.
	Higher speed.
	Light setting.

- Note:
- ▶ After pressed the power switch  , range hood runs at default middle speed setting. Press the power switch once again to go to grease-off mode, which will continue for 1 minutes. After 1 minutes, the appliance will stop.
 - ▶ Press the power switch  twice, the appliance will skip the grease-off mode and go to forced shutdown direct.

Maintenance/cleaning method

Cleaning of grease cup and filters

Cleaning method:



- ▶ Please clean the aluminium filters around every one to three days depending on the usage frequency.
- ▶ The filters can be taken down after pushing the filter latch (as the picture shows). For putting the filters back, simply put the filter latch onto the appliance body gap, push the latch, then the filters can be put back.

Cleaning method:

- ▶ For cleaning, hot water can be used to clean the surface and with a piece of cloth wiping the filters lightly, then wipe them dry.
- ▶ For excessive amount of grease that cannot be removed easily, the filters can be put into a pot of boiling water for one minute, then the grease can be removed easily.
- ▶ Cleaning the filters after cooking every meal can keep the filters clean and facilitate evacuation function.
- ▶ Replenishing the filters periodically is recommended. (Please contact the dealer)

Attention:

Cleaning the filters frequently can maintain the chimney hood's best extraction effectiveness. Cleaning the filters frequently can prevent excessive grease accumulation resulting in oil melting and dripping during cooking. It is recommendable for cleaning to be done with a piece of cloth dampened with hot water after cooking every meal. Wipe along the lower edges of the appliance body to prevent grease from sticking and avoid the possibility of oil melting and dripping. Cooking with alcohol and putting inflammable material on the cooking utensil under the chimney hood is strictly prohibited. This is to avoid the risk of fire flame sucked in and burning of the appliance body and filters.

Troubleshooting

During usage, if any problem is found on the product operation, please try to check and process according to the following points first, before proceeding with repair.

Status	Possible reason	Solution
The chimney hood cannot be turned on	The chimney hood has not been turned on correctly.	Please check if the on/off switch on the touch board has been on.
	Power cut.	Please check if other home electrical appliances are working properly.
	Power plug is unplugged.	Please connect the appliance with power supply.
The suction power is insufficient	The distance between the appliance and stoves is too long.	For installation distance, please refer to "Product installation"
	The air circulation is too much.	Have the door and window been opened? Please minimize door/window opening appropriately.
	The exhaust pipe is too long or with too many bends.	For exhaust pipe installation, please refer to "Product installation"
There is abnormal noise or vibration with the chimney hood	The outdoor wind is too strong.	Please check the exhaust pipe installed outdoor.
	The filters are not installed properly.	Please check if the filters latch has been inserted into the chimney hood latch space properly.
	The filters are grease-ridden.	Please clean the filters.
Light is not blinking / cannot be turned on	The grease cup is not installed properly.	Please check if the grease cup has been installed correctly.
	Light malfunction.	Please contact service personnel.
Abnormality on the control board	Control board malfunction.	Please contact service personnel.
Oil dripping / leakage from the appliance	There is too much grease in the filters.	Clean the filters.
	The appliance is not balanced horizontally.	Check if the appliance is balanced horizontally.

 Attention:

If the above problem is still unresolved, please switch off the appliance or turn off the independent switch and contact the sole agent. Please also ensure that valid maintenance certificate and receipt can be shown during checking or repair. Never dismantle or repair the product on your side. This is to avoid risk of electric shock and damage to the product.

Technical Specifications

Range Hood

Model LGH90TWL

Rated Voltage AC220V 50Hz

Rated Power 255W

Lamp Power 3W LED x 2

Manufactured In Taiwan