

用戶手冊

User's Manual



單頭電磁煮食爐

Single Burner Induction cooker

型號 / Model :

LGE01CNB



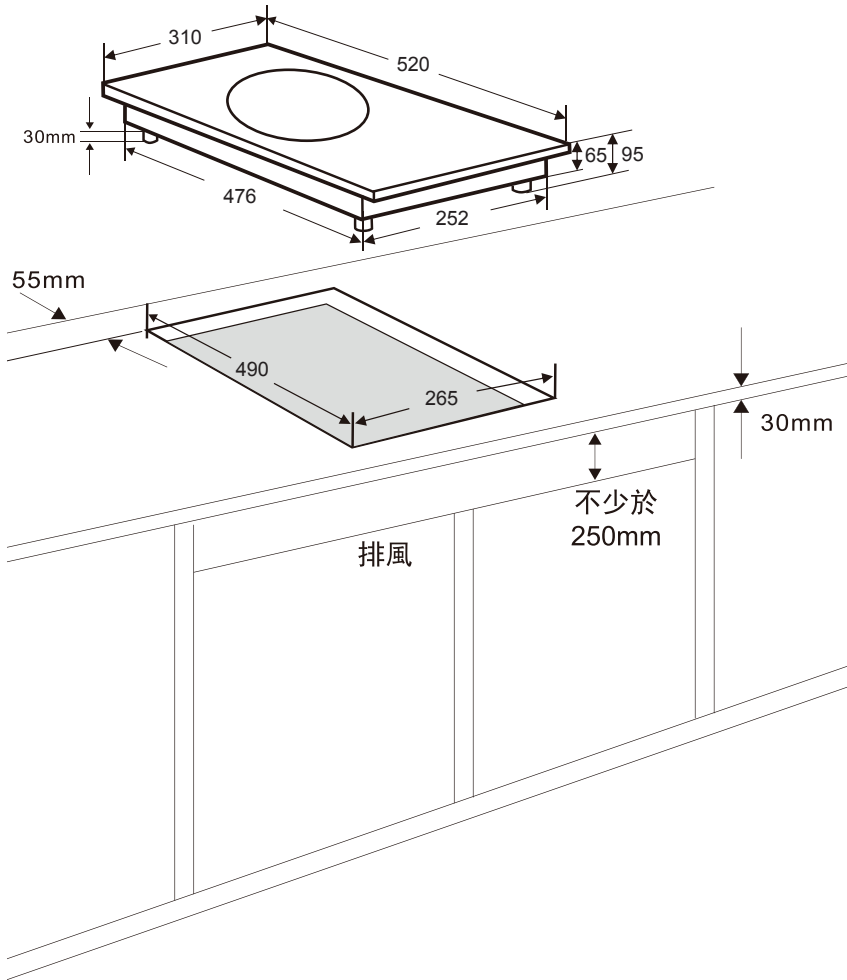
接通電源線，請仔細閱讀本使用說明書，以便正確使用電磁爐。
Before plugging, please read this manual carefully in order to use it correctly.

感謝您購買本公司的產品，使用本電磁爐前，請務必注意安全操作須知。
請在閱讀後，妥善保管好說明書，以備查閱。
因為本公司的產品不斷改進，如有變更，恕不另行通知。

Thank you for purchasing our product. Before using the product make sure that you have followed the safety instructions. Please keep this manual for future reference. There will be increase improvements on our products. Information is subject to change without prior notice.

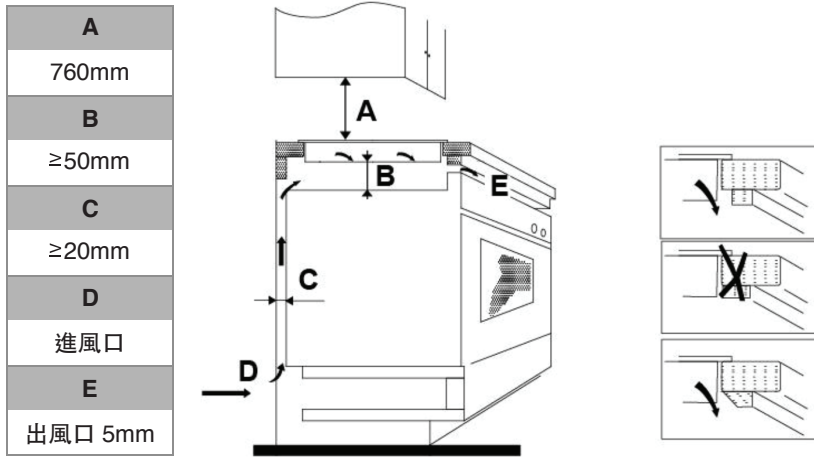
1. 安裝說明

1. 煮食爐需要按照規定安裝和連接設備，使用前確保沒有明顯的損壞，如果在運輸過程中損壞，請勿使用，請立即聯繫您購買的地方。
2. 工作檯面的厚度應不少於30毫米，開孔周圍應至少保留50毫米距離。
3. 請選擇耐高溫的檯面材質，以免加熱板的過熱導致變形。
4. 安裝時，請確保進風口和出風口沒有堵塞，使機器處於正常的工作狀態。





請注意：機器爐面與上方的櫥櫃之間的安全距離至少為760毫米。

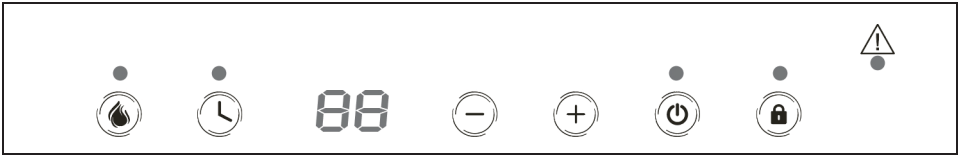


2. 注意事項

1. 請勿手濕插電。
2. 切勿與其他電器共用插座。
3. 使用前請檢查插座與插頭的接觸情況，確保連接正常，以免使用時發生危險。
4. 請勿自行維修。
5. 請勿靠近火源或潮濕的地方。
6. 請勿讓兒童操作此產品，請將它放置於兒童不能觸及的地方。(除非有成人監管，8歲以下孩童應遠離該產品)
7. 請放置在水平面上使用。
8. 使用時請勿隨意移動本產品。
9. 請勿加熱罐頭等密封的東西，否則會因罐頭內氣體受熱膨脹導致爆炸。
10. 嚴禁在本產品上幹燒空鍋，這是造成鍋具變形及機器損壞的主要原因，若因此而造成的機器損壞或發生危險，本公司概不負責。
11. 金屬物品如小刀、餐叉和湯匙不可直接放在面板上，因它有可能會接觸而發熱。
12. 使用本產品時請保證產品周圍有足夠的空間，請勿堵塞進、排氣口，以保持進、排氣口的通暢。
13. 本機灶面須與頂櫃保持760毫米或以上的距離。
14. 請勿在地毯、桌布等易燃物上使用。
15. 請勿將易燃物(如紙張)或金屬物品放置在面板與鍋具之間，因它有可能會接觸而發熱或燃燒。
16. 發生火災時禁止使用水澆熄火種，應該即時關閉設備，並用鍋蓋合上或者用濕布蓋住火種。
17. 火災的危險：請不要在煮的灶面上存放物品。
18. 本產品的面板請儘量避免撞擊，萬一撞裂時，應立即關機，並拔掉電源插頭。
19. 使用後，鍋底的高溫還會留在本機面板上，因此請暫勿以手觸摸面板，以免燙傷。
20. 請勿將信用卡、磁片、手錶或收音機等物品置於本機附近，以免受機器磁場影響。
21. 請勿自行更換電源線，應由合資格的技術人員幫忙替換。
22. 本機的安裝須由專業的安裝技工完成，請勿嘗試獨自安裝本產品。
23. 本產品不適用給兒童或弱智人士使用，以免造成危險。

3. 使用方法

操作面板



1. 插上插頭於插座上，會有蜂鳴器“嗶”一聲，所有指示燈閃一下，即本機進入通電狀態但並未正式開啟。
2. 在本機加熱區域上放置合適的鍋具。按下“開/關”鍵一次，數碼管顯示“- -”。
3. 選擇相應的功能鍵開始加熱。
4. 如要關機，請再按開關鍵一次。

4.1 操作面板

面板顯示	H1	H2	H3	H4	H5	H6	H7	H8	H9
對應功率 (W)	400	800	1200	1400	1600	1800	2000	2400	2800

- 1 **火力功能：** 在待機狀態下，數碼管顯示[--]按“火力”鍵一下，相應的指示燈亮。數碼管顯示“H4”，表示火鍋功能的預設火力為四檔。用戶可按“+”或“-”鍵調節火力，總共有9段火力選擇。
- 2 **定時功能：** 按“定時”鍵一下，相應的指示燈亮。數碼管顯示“30”，即默認設定的煮食時間為30分鐘。用戶可按“+”或“-”鍵來設定所需的煮食時間，長按“+”或“-”鍵三秒可加快時間設定。設定的時間範圍為1分鐘-99分鐘-2小時-6小時。如要取消定時功能，用戶可長按“定時”鍵三秒。定時，火力交替顯示。
- 3 **安全鎖設定：** 按“安全鎖”鍵一下，相應的指示燈亮。數碼管顯示“Lo”。在安全鎖狀態下，本機的所有按鍵的功能均無效，除了“開/關”鍵。長按“安全鎖”鍵三秒即可解鎖。
- 4 **高溫指示燈：** 若爐面溫度超過50°C，高溫指示燈亮。

4. 鍋具使用的選擇

1. 可用鍋具

鐵類、搪瓷、不鏽鋼、平底鍋，並且鍋底直徑為12cm至26cm。



搪瓷



鐵鍋



鑄鐵鍋



鐵質珉璃鍋



炸天婦羅鍋



不銹鋼鍋



鐵質炸鍋

2. 不可用鍋具

耐熱玻璃、陶瓷容器、銅器、鋁製鍋/壺、圓底鍋/壺、鍋底小於12cm。



圓底鍋/壺



鋁/銅鍋/壺



鍋底直徑小於12cm



鍋底附腳類



陶瓷容器



耐熱玻璃

5. 維修保養及清潔

1. 清潔前請關掉電源及拔下電源插頭。請不要使用任何腐蝕性的清洗劑，並且確保沒有水流進本機內。
2. 請在本機完全冷卻後才清潔。
3. 請勿用水或其他液體沖洗本機和電源線。
4. 請用濕布或中性去污粉或洗潔精擦拭面板。
5. 請勿使用任何油性清洗產品清潔面板，以免破壞塑膠部件或面板。
6. 請勿將任何易燃、酸性、鹼性材料或物質放置在本機附近，因容易減少本機的使用壽命並在使用過程中容易引起火災。
7. 請注意使用時不要讓鍋底刮到玻璃面板，雖然表面劃痕不會影響本機使用。
8. 請保證合理清潔本機後才將它放置在乾爽的地方。
9. 在無人監管下不應讓孩童進行設備的清潔與維護

6. 故障診斷方法

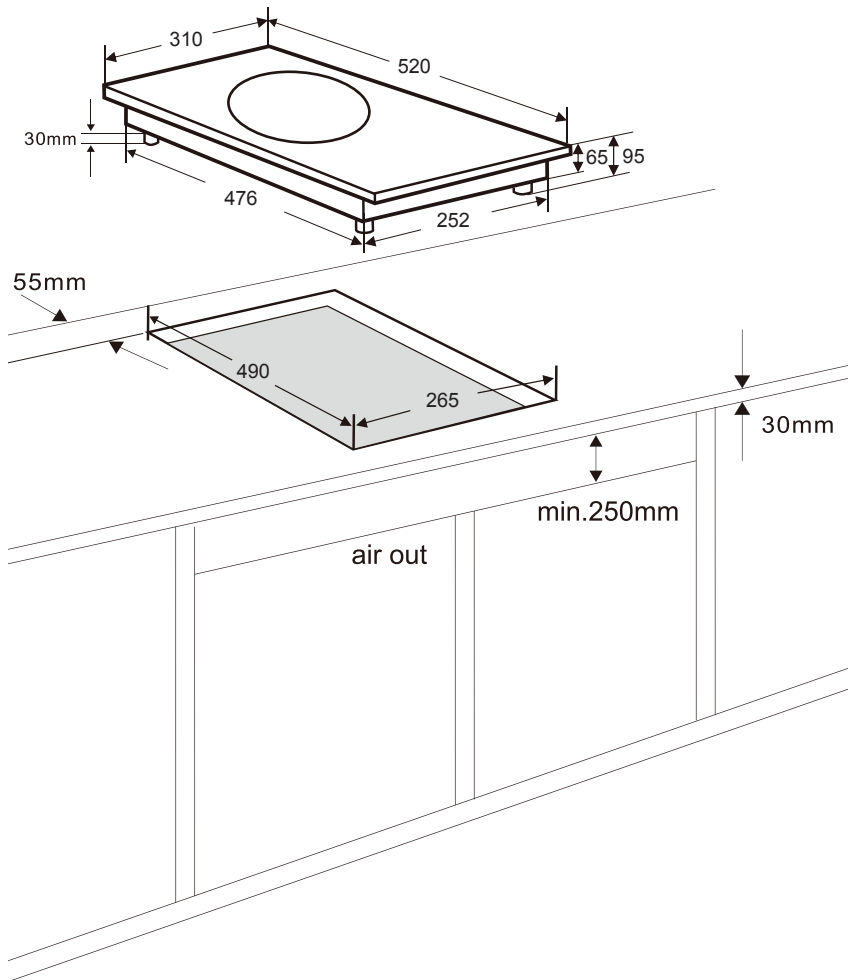
在使用期間，如出現任何故障，送去維修前請按下表檢查。以下是常見的故障和對應的解決方法。

故障現象	分析	方法
連接電源線後，按電源開關鍵，機器無響應。	插頭是否鬆脫或接觸不良？	- 檢查電源。
	插座電源有沒有連接？	- 仔細檢查根源，如問題不能解決，請聯繫我們進行檢查和維修。
	家中的自動開關式保險絲是否發生短路？	
電磁爐故障代碼原因及解決方法	E0- 內部電路故障	- 請聯繫服務中心檢查及維修。
	E1- 無鍋或鍋具不合適	- 放上或更換適合電磁爐使用的鍋具。
	E2- 產品內部溫度過高	- 請保持機底散熱出風口暢通。 - 如機底散熱出風口被阻，可能會導致機器過熱而自動停機或損壞。 - 建議使用此產品時，儘量避免放置機身於一次性膠檯布/薄檯墊上，建議用厚膠片或厚紙墊代替。 - 關機待機器冷卻後再重啟機器。
	E3- 高壓保護	- 當家庭電壓過高或過低時，高/低壓保護會啟動。一旦供電電壓恢復正常時，代碼會消失。
	E4- 低壓保護	
	E5- 主傳感器開路或短路	- 關閉電源30秒後再重啟機器，如代碼繼續出現，請聯繫服務中心檢查及維修。
	E6- IGBT傳感器開路或短路	
	E7- 爐面溫度過高/主傳感器失效保護	- 請關閉機器待本機冷卻後再使用。

1. Installation Instructions

The appliance must be installed and connected in accordance with current regulations. After unpacking the appliance, ensure there is no visible damage. If it has been damaged during transit, DO NOT USE, contact where you buy immediately.

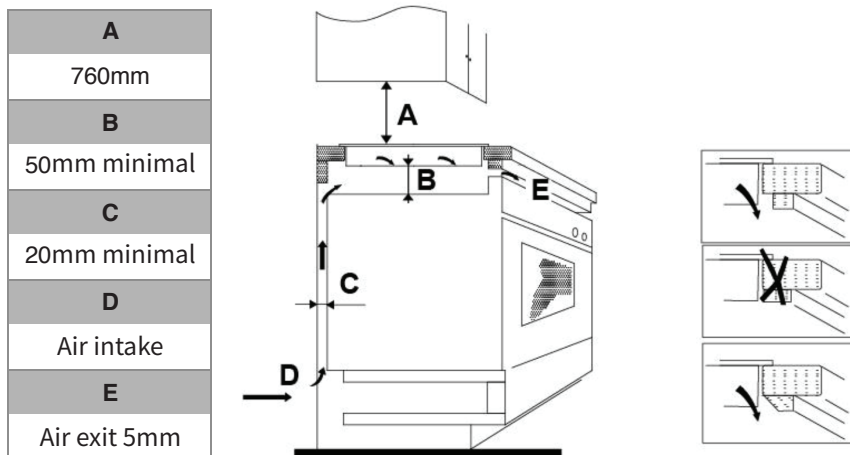
- Cut out the work surface according to the sizes shown in the drawing.
- For the purpose of installation and use, a minimum of 5 cm space shall be preserved around the hole.
- Be sure the thickness of the work surface is at least 30mm. Please select heat-resistant work surface material to avoid larger deformation caused by the heat radiation from the hotplate. As shown below:



Under any circumstances, make sure the electric hob is well ventilated and the air inlet and outlet are not blocked. Ensure the electric hob is in good work state. As shown below:



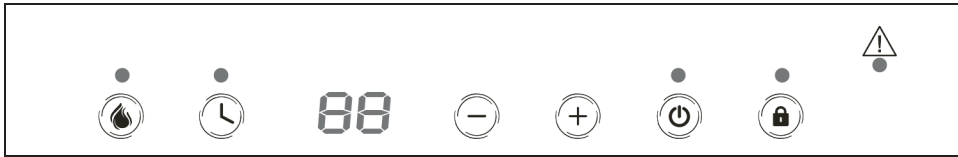
Note: The safety distance between the hotplate and the cupboard above the hotplate should be at least 760mm.



2. Importance Precaution

1. Do not plug with wet hands.
2. Do not plug into a socket where several other appliances are plugged in.
3. Do not use if the plug cord is damaged or the power plug does not fit the socket safely.
4. Do not modify the parts, or repair the unit by yourself.
5. Do not use the unit near flame or wet places.
6. Do not use where children can easily touch the unit, or allow children to use the unit by themselves. (children less than 8 years of age shall be kept away unless continuously supervised)
7. Do not place on unstable surfaces.
8. Do not move the unit when the pot or the pan is on it.
9. Do not heat up unopened cans on the unit, it may cause explosion.
10. Do not heat the pot empty or overheat the pot.
11. Do not place metallic objects such as knives, forks, spoons, lids, cans, and aluminum foils on the top plate.
12. Use the unit with sufficient space around it. Keep the front side and either right or left side of the unit clear. Do not block the air intake or exhaust vent.
13. Keep a distance of the surface of the unit from an overhead cabinet by 760mm or more.
14. Do not use the unit on carpet or tablecloth(vinyl) or any other low-heat-resistant article.
15. Do not place a sheet of paper between the pot or the pan and the unit. The paper may get burnt.
16. Never try to extinguish a fire with water, but switch off the appliance and then cover flame with a lid or a damp cloth.
17. Danger of fire: do not store items on the cooking surfaces.
18. If the surface is cracked, please switch off and take to the service center immediately.
19. Do not touch the top plate right after removing the pot or the pan, as the top plate will still be very hot.
20. Do not place the unit close to the objects which are affected by magnet, such as radios, televisions, automatic-banking cards and cassette tapes.
21. The power cord must be replaced by qualified technicians.
22. The unit must be installed by a suitably qualified authorized electrician. Do not attempt to install the unit by yourself.
23. This appliance is not intended for use by persons (including children) with reduced physical, sensory or mental capabilities, or lack of experience and knowledge, unless they have been given supervision or instruction concerning use of the appliance by a person responsible for their safety.

3. Product Operating Instructions



1. Plug the cord into the 220V wall outlet.
2. After inserting the plug into the socket, a “Beep” will emit and all the indicator flash a time ,after that the indicator above the [On/Off] key will start to flash, indicating the appliance in connection with a power source, known as standby mode.
3. Place a suitable cookware on the center of the cooking zone. The indicator will light up when [On/Off] key is pressed once,LED will show [--], the appliance goes to selection mode and the indicator above [On/Off] remains light up.
4. Press the corresponding function keys to start operation.
5. Stop the operation and switch to standby mode by pressing [On/Off] key after cooking.

4.1 Cooking modes

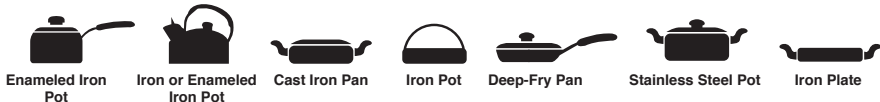
Display	H1	H2	H3	H4	H5	H6	H7	H8	H9
Power (W)	400	800	1200	1400	1600	1800	2000	2400	2800

1. **Power function:** When in the standby mode, the display shows [--]. Press the power key once and the power indicator light will light up.The display shows [H4]. Press the [+] or [-] key to set the desired power level. There are 9 power levels in total.
2. **Timer function:** When in the standby mode, the display show [--]. Press the timer key to access the timer function, the display shows [30]. The time can be adjusted from 1 minute to 99 minutes and 2 hours to 6 hours. After the setting, select mode and the indicator will light up accordingly.
3. **Lock function:** To activate the lock, user can press the Lock key. Display shows [Lo]. This will lock the appliance and all the function keys are not allowed to operate except key ON/OFF. Hold for 3 seconds to unlock.
4. When the furnace surface temperature reaches 50°C, the high temperature indicator will light up.

4. Usable and Non-usable Utensils

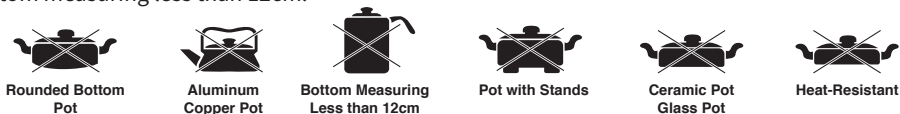
1) Usable Pans

Steel, cast iron, enameled iron, stainless steel, flat-bottom pans / pots with bottom diameter from 12cm to 26cm.



1) Non-usable Pans

Heat-resistant glass, ceramic container, copper, aluminum pans/pots. Rounded-bottom pans/pots with bottom measuring less than 12cm.



5. How to Clean

1. Remove the power plug prior to cleaning the unit. Do not use any caustic cleaning agents and make sure that water does not penetrate inside the unit.
2. Clean the unit when it is cool down completely.
3. Never immerse the unit, its cables or the plug into water or other liquids.
4. Wipe off the glass cooker with a damp cloth or use a mild, non-abrasive soap solution.
5. Do not use any oil based cleansing products in order not to damage the plastic parts or the casing / operating panel.
6. Do not use any flammable, acidic or alkaline materials or substances near the unit, as this may reduce the service life of the unit and pose a fire risk when the unit is turned on.
7. In order to keep your cooker looking new, make sure that the bottom of your cookware does not scrape the glass surface, although a scratched surface will not impair the use of the unit.
8. Make sure to properly clean the unit before storing it in a cool, dry place.
9. Cleaning and user maintenance shall not be made by children without supervision.

6. Care & Maintenance

During operations, if any error code occurred, please check the following table before calling for service.

Symptoms	Check Points	Remedy
After connecting the power and pressing the "On/Off" Key, the appliance has no response.	Is the electricity in suspension?	- Use after resuming the electricity.
	Is the fuse broken down?	- Check the root causes carefully. If the problem cannot be fixed, please contact Service Centre for checking and repairing.
	Is the plug connected firmly?	
	E0- Internal circuit error	- Please contact service centre for checking and repairing.
	E1- No cookware or incompatible cookware	- Ensure cookware is centered on cooking zone and that it's induction compatible -see "Usable and Non-usable Utensils".
Error Codes Cause & Potential Solutions	E2- Internal overheat	- Keep the heat vents clear. - The induction cooker may overheat or damaged if bottom heat vents are blocked. - Please do not place light table cloth/sheet under the induction cooker when using. Otherwise, heat vents may be blocked by those materials. Thick table cloth of plastic plate are suggested as replacement. - Turn off the unit to allow IGBT to cool. Restart unit once cooled.
	E3- Over-voltage	- This may occur when there is an increase of decrease in voltage supplied to the house circuit. Once the supplied voltage returns to normal, the code will disappear.
	E4- Under-voltage	
	E5- Top plate sensor open/short circuit	- Turn OFF the cook top, then shut off power at the circuit breaker for 30 secs. Turn the power on and press ON/OFF button to the unit. If error message persists, call for service.
	E6- IGBT sensor open/short circuit	
	E7- Top plate overheat	- Please turn off the cook top to let it cool down.



星暉爐具貿易有限公司

LIGHTING GAS STOVES TRADING LTD.

荃灣半山街10-16號富華工業大廈13樓C&D室
Flat C&D, 13/F., Fou Wah Industrial Building
10-16 Pun Shan St
Tsuen Wan, H.K.

Tel: (852) 2490 0073 Fax: (852) 2490 1121 ☎:(852) 6110 0949

星期一至五 9am - 6pm

星期六 9am - 1pm

星期日及公眾假期休息

本資料上所有內容均經過認真核對,如產品規格及設計有更改或者內容產的誤解,本公司保留解釋權。

All information printed have been checked through to be correct. Product specifications and design if changed or any misunderstanding of the content, we reserve the right of explanations.