



星暉爐具貿易有限公司
LIGHTING GAS STOVES TRADING LTD.

歐式倒T型抽油煙機
Wall-mounted chimney hood

型號 Model : LG-480S9

用戶手冊
User's Manual

感謝您購買本公司的產品, 使用產品前, 請務必注意安全操作須知。請在閱讀後, 妥善保管好說明書, 以備查閱。
因為本公司的產品不斷改進, 如有變更, 恕不另行通知。

Thank you for purchasing our product. Before using the product make sure that you have followed the safety instructions. Please keep this manual for future reference. There will be increase improvements on our products. Information is subject to change without prior notice.

香港荃灣半山街10-16號富華工業大廈13樓C&D室
Flat C&D, 13/F, Fou Wah Industrial Building, 10-16 Pun Shan St, Tsuen Wan, Hong Kong
Tel: (852) 2490 0073 Fax: (852) 2490 1121 ☎: (852) 6110 0949 www.lightinggas.com.hk






目錄

繁體中文

	安全注意事項.....	p.1
	產品結構.....	p.2
	產品安裝.....	p.3-6
	產品操作.....	p.7
	保養 / 清楚方法.....	p.8
	故障排除.....	p.9
	產品規格.....	p.10
	電路圖.....	p.11
	重要安全訊息及備註.....	p.12

Important safety information and notes

Important safety information

-  **Suffocation hazard** Small packaging materials can possibly cause suffocation hazard for children. Please do not allow children to play near the packaging materials.
-  **Extraction hazard** When the appliance is in extraction mode, please ensure enough fresh air indoors. If air is insufficient, it may result in partial vacuum or even exhaust gas recirculation. Under any circumstances, please consult the agent.
-  **Overheat hazard** When the appliance is in extraction mode, the temperature may possibly rise. Please do not touch the heated area.
-  **Damage hazard** There may be sharp edges with some parts of the appliance, please handle with care. Please do not put anything onto the appliance, when the appliance is in operation, there may be slight vibration causing materials to fall down.
-  **Attention to strong light** The light from the LED is extremely dazzling and can hurt the eyes. Please avoid direct gaze at the LED light when it is on.

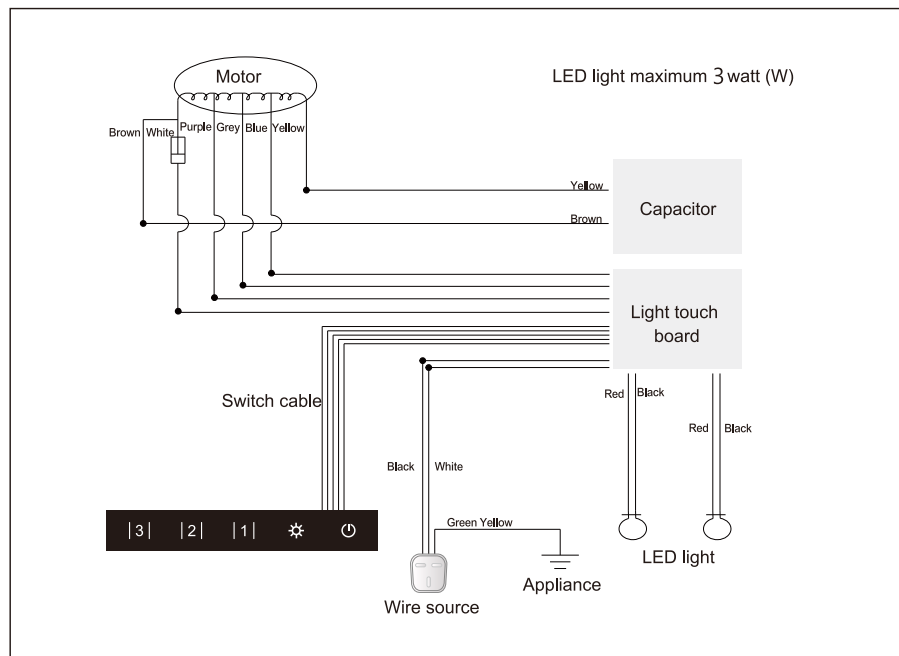
Notes

The information in this manual has been repeatedly checked. For any error in printing and content, the sole agent retains the rights for interpretation.

For any technical enhancement on this product, it will be added onto new version of the manual without prior notice. For any changes on product appearance, color and specifications, the actual product shall prevail.

For any questions on this product, please feel free to contact the sole agent of Lighting. If you would like to understand more about other products of Lighting or if you have any suggestion on the product, please visit Lighting's website at : <https://lightinggas.com.hk/>

Electric circuit structure












Note: The structure of various models is similar in general. The picture is for reference only. Specifications are subject to change without prior notice.

 **Attention:**

This electric circuit structure is for reference only. Never dismantle or repair the product on your own. This is to avoid risk of electric shock or damage to the product. For any question please feel free to contact the sole agent and arrange professional technician for on-site checking and repair.

English

-  Safety attention notesp.13
-  Product structurep.14
-  Product installationp.15-18
-  Product operationp.19
-  Maintenance/cleaning methodp.20
-  Troubleshootingp.21
-  Product specificationsp.22
-  Electric circuitp.23
-  Important safety information and notesp.24

安全注意事項

安裝及使用前請先閱讀

- ▶請先放好煮食用具才啟動煮食爐具，切勿讓爐火直接烘烤抽油煙機。
- ▶切勿在鍋具中燃火，如將烹調好的食品澆上酒精類等易燃的佐料，以免燒壞機體或引致其他危險。
- ▶在食油著火時立刻停止使用並關掉抽油煙機。
- ▶如果產品出現損壞或受到外來的猛烈撞擊，應立即停止使用，關掉產品電源及拔出電源插頭或關掉固定線路上獨立開關掣，以避免造成電擊、短路或火災等危險。並請立即聯絡總代理進行檢查及維修。
- ▶請嚴格按照說明書所建議的方法使用及清洗抽油煙機，以免發生危險。
- ▶清潔前請必須截斷電源並拔掉電源線插頭。
- ▶當拆下濾網及集油杯前，請關上電源。
- ▶切勿噴灑水和清潔劑到馬達和控制面板上。
- ▶當更換照明燈時，請先將電源插頭拔掉，並等待燈泡冷卻後再更換(約20分鐘)，以免燙傷。
- ▶切勿使用汽油、苯、溶劑或類似化學藥物清洗抽油煙機。
- ▶切勿將任何物件(如針或金屬線)插入濾網。
- ▶切勿手濕操作產品、插入或拔除插頭。
- ▶切勿將電源線懸掛在桌子、櫥櫃的邊緣或令它接觸發熱的表面。切勿在電源線纏結的情況下使用本產品，否則會加快電源線的損耗。
- ▶切勿拆卸、試圖維修或改裝本產品。若要維修，請與總代理服務人員聯絡。
- ▶如果附帶的電線有破損，必須聯絡總代理保養更換，以免發生危險。
- ▶切勿將本產品用於抽吸油煙以外的其他用途。(如果本產品用於抽吸油煙之外的用途，則可能會發生故障及危險。)
- ▶當產品機身或零件出現故障，不能正常操作，切勿自行使用或更換零件或配件，以免發生危險。



注意:

當煮食時，機體可能變熱，請勿觸摸。

Product specifications

Model	LG-480S9
Motor specifications	45/2P Motor x1
Related voltage	220(V)-240(V) / 50(Hz)
Related power	335(W)
Lighting	3(W)LED light bulb x 2
Appliance dimension (WxDxH)	896 x 370 x 350 (mm)
Packaging dimension (WxDxH)	1050 x 525 x 575 (mm)
Net weight	11.8 KG
Gross weight	15.8 KG
Country of origin	Taiwan

Specifications are subject to change without prior notice.

? Troubleshooting

During usage, if any problem is found on the product operation, please try to check and process according to the following points first, before proceeding with repair.

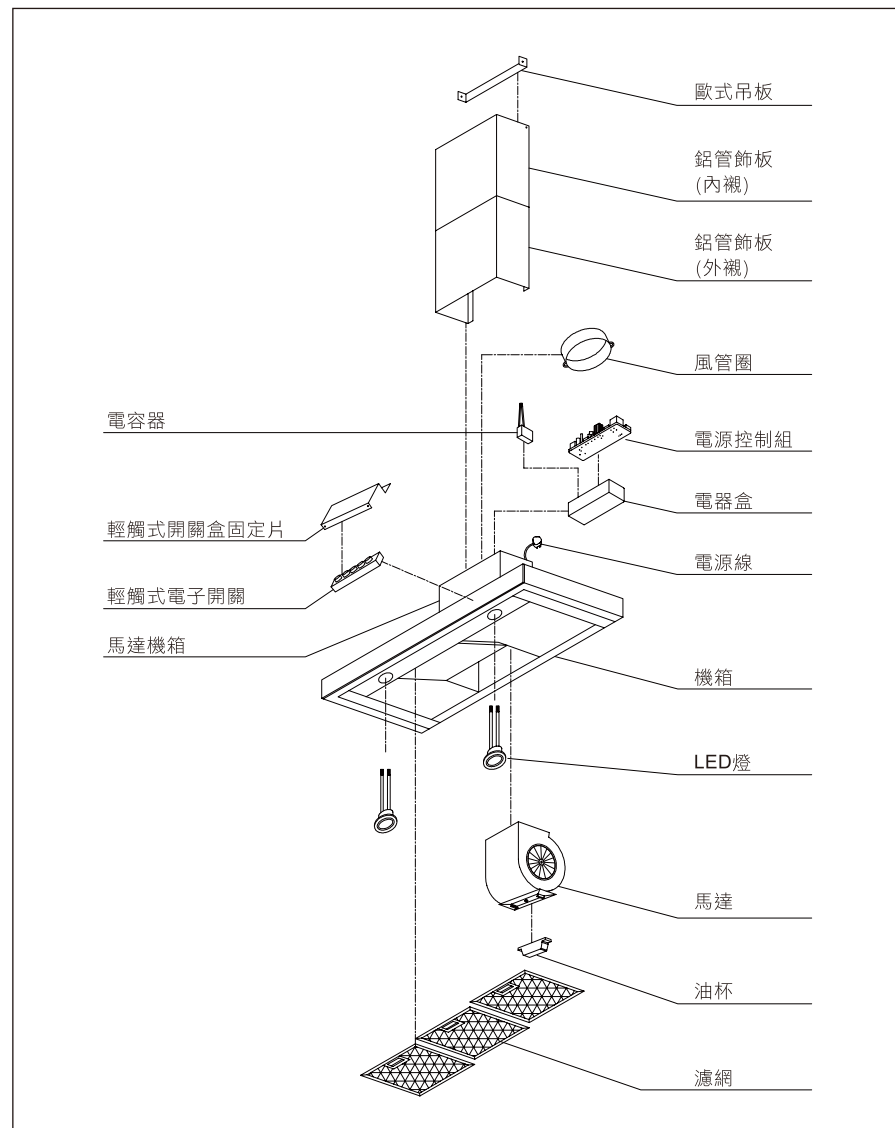
Status	Possible reason	Solution
The chimney hood cannot be turned on.	The chimney hood has not been turned on correctly.	Please check if the on/off switch on the touch board has been on.
	Power cut.	Please check if other home electrical appliances are working properly.
	Power plug is unplugged.	Please connect the appliance with power supply.
The suction power is insufficient.	The distance between the appliance and stove is too long.	For installation distance, please refer to "Product installation"
	The air circulation is too much.	Have the door and window been opened? Please minimize door/window opening appropriately.
	The exhaust pipe is too long or with too many bends.	For exhaust pipe installation, please refer to "Product installation"
There is abnormal noise or vibration with the chimney hood.	The outdoor wind is too strong.	Please check the exhaust pipe installed outdoor.
	The filters are not installed properly.	Please check if the filters latch has been inserted into the chimney hood latch space properly.
	The filters are grease-ridden.	Please clean the filters.
Light is not blinking / cannot be turned on.	The grease cup is not installed properly.	Please check if the grease cup has been installed correctly.
	Light malfunction.	Please contact service personnel.
Abnormality on the control board.	Control board malfunction.	Please contact service personnel.
Oil dripping / leakage from the appliance.	There is too much grease in the filters.	Clean the filters.
	The appliance is not balanced horizontally.	Check if the appliance is balanced horizontally.

⚠ Attention:

If the above problem is still unresolved, please switch off the appliance or turn off the independent switch and contact the sole agent. Please also ensure that valid maintenance certificate and receipt can be shown during checking or repair. Never dismantle or repair the product on your side. This is to avoid risk of electric shock and damage to the product.

🔧 產品結構

註：各型號的結構大致相同，以下圖片僅供參考。



安裝注意事項

- ▶若為舊機換新機，務必將牆上原有吊掛抽油煙機之舊螺絲釘換新，以防止螺絲釘鏽蝕斷裂造成危險。
- ▶懸掛後，機體要保持一定水平。
- ▶電源插座必須安裝接地線，安裝時務必關掉電源。
- ▶請勿將接地線接於水管，易燃氣管或電話線等，以避免危險。
- ▶抽油煙機安裝之周圍，應避免過多門窗而產生太大的空氣對流，導致抽油煙機無法發揮其排煙效果。
- ▶抽油煙機及各部件必須安裝牢固，否則可能引起危險。
- ▶此機體必須根據本說明書正確地安裝方能使用。安裝者有責任確保機體於安全及適當的位置中才能進行安裝工序，並確保工序後機體能正常運作。
- ▶此機體只適用於港澳地區及只能作家用。此機體不能安裝於室外，並不能於無人在場下運作本機體。如因不當使用及不當安裝而造成此機體出現故障，代理商不會負責。
- ▶請避免讓小童或有精神問題的人士接觸或操作本機體，並請看管小童，避免小童於機體附近遊玩。機體不能讓小童進行清潔或保養工序。
- ▶打開包裝後立即檢查本機體是否有被撞擊或破壞的情況，如機體有損壞，請停止安裝工序。
- ▶打開包裝檢視保證書、說明書等附屬配件（列於第17頁）是否齊全。參考第17頁的安裝程序圖。安裝說明關於抽油煙機的圖示，僅作示意參考用。
- ▶安裝前先接上電源操作開關測試各項功能是否正常（馬達運轉、照明），切勿伸手或將其他物件插入抽油煙機內部以避免觸及風輪而產生危險或損壞機件。

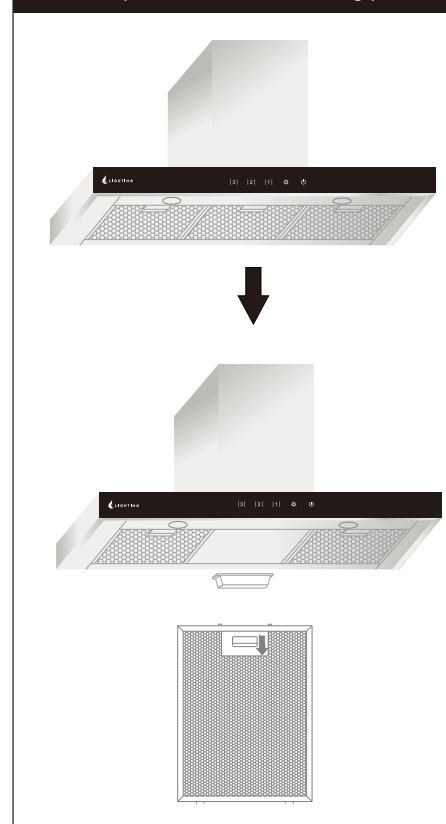


注意：

此機體不建議以外置計時器進行操作。

Cleaning of grease cup and filters

Grease cup and filters assembling picture :



- ▶Please clean the aluminium filters around every one to three days depending on the usage frequency.
- ▶The filters can be taken down after pushing the filter latch (as the picture shows). For putting the filters back, simply put the filter latch onto the appliance body gap, push the latch, then the filters can be put back.

Cleaning method:

For cleaning, hot water can be used to clean the surface and with a piece of cloth wiping the filters lightly, then wipe them dry.

For excessive amount of grease that cannot be removed easily, the filters can be put into a pot of boiling water for one minute, then the grease can be removed easily.

Cleaning the filters after cooking every meal can keep the filters clean and facilitate evacuation function.

Replenishing the filters periodically is recommended. (Please contact the dealer)



Attention:

Cleaning the filters frequently can maintain the chimney hood's best extraction effectiveness.


Cleaning the filters frequently can prevent excessive grease accumulation resulting in oil melting and dripping during cooking.

It is recommendable for cleaning to be done with a piece of cloth dampened with hot water after cooking every meal. Wipe along the lower edges of the appliance body to prevent grease from sticking and avoid the possibility of oil melting and dripping.

Cooking chicken with alcohol and putting inflammable material on the cooking utensil under the chimney hood is strictly prohibited. This is to avoid the risk of fire flame sucked in and burning of the appliance body and filters.




Product operation

Switch on the appliance



- ▶ The following instruction is applicable to several similar models.
- ▶ When you start cooking, please switch on the chimney hood. When cooking is done, please continue the chimney hood and let it run for about 3 to 5 minutes, or press  to start the grease-off mode. This is the most effective way for extraction. 3 levels of extraction force can be used with this appliance to directly change its extraction capacity.


Control board



-  Appliance power on/off.
-  LED light on/off.
- | 1 | Normal extraction force/ turn on normal extraction force or change to normal extraction force.
- | 2 | Strong extraction force/ turn on strong extraction force or change to strong extraction force.
- | 3 | Turbo extraction force/ turn on Turbo extraction force or change to Turbo extraction force.
- ▶ Switch on
Press  button once.
Default setting is | 2 | once the fan is on.

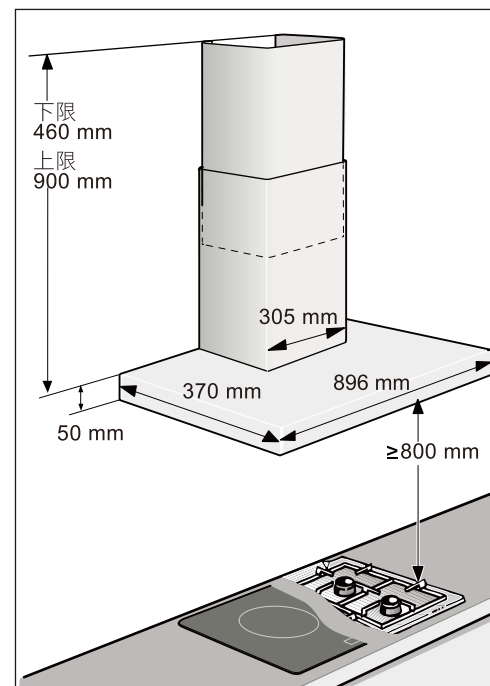
Press | 1 | or | 3 | to change the extraction force.

- ▶ Turn on grease-off mode
Press  button once to go to grease-off mode, which will continue for 3 minutes. After 3 minutes, the appliance will stop.
- ▶ Forced shutdown
Press  button twice, then the appliance will skip the grease-off mode and go to forced shutdown direct.
- ▶ TURBO extraction force setting
When turning on TURBO extraction force, the motor will run at extremely high speed to increase the extraction force instantly, so as to deal with grease and fumes arising out of frying with maximum heat.

Press | 3 | to turn on Turbo extraction force.
- ▶ Light setting
Press  LED light can be turned on independently.

產品安裝

機身尺寸圖



產品外觀、顏色及規格如有改動，均以實物為準，恕不另行通知。

安裝概要

- ▶ 機體安裝：在已選定的水泥牆面安裝位置上，以1/4" (直徑6mm)的鑽頭鑽洞，將膨脹金屬螺絲的螺帽轉出，並將膨脹金屬栓及膨脹塑膠栓塞入孔內，之後配合背板鑰匙形的洞位鎖上螺帽，切勿直接安裝於矽酸鈣板或其他未有被木角條加強的裝潢木板上！


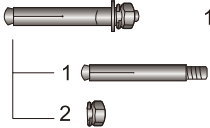




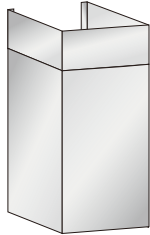
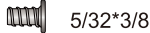

注意：
有關排氣管之裝設，以上說明僅供參考，施工必須由專業工程人員處理或諮詢總代理。

- ▶ 排氣管安裝：將排氣管一端套入出風管座上，並將排氣管座另一端固定於機體出風口上。為確保排氣效率，建議使用5.5吋的排氣喉管。排氣喉管應平直排列及避免過長（以1至1.8米的長度為佳），如不能平直排列，轉彎角的彎度亦應該盡量調大及不多於一個彎位。室外排氣喉口必須向下垂直排風，以防雨水及風倒流破壞抽油煙機。

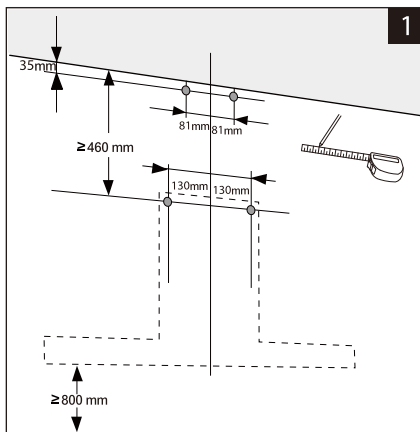
產品安裝

跟機零件

- (A)  M4*30mm x2
- (B)  1/4*2" x2
- (C)  x2
- (D)  x1

- (E)  x1
- (F)  x2
- (G)  x1

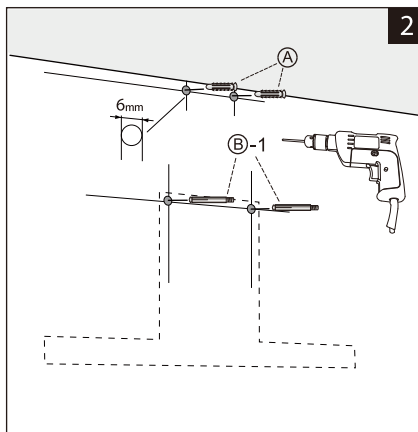
安裝程序圖



▶ 在已選定的水泥牆面上，由天花到油煙機底部位置畫出一條中線。

於距離天花頂部35mm的下方，中線左右方距離各81mm，各畫上一個記號點。

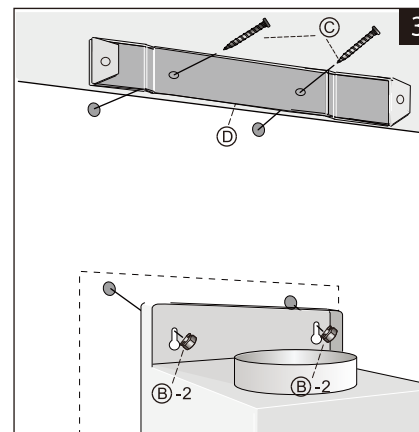
於天花頂部以下距離不少於460mm，中線左右方距離各130mm的位置，各畫上一個記號點。



▶ 於已畫的4個記號點位置，各鑽一個6mm的洞並把：

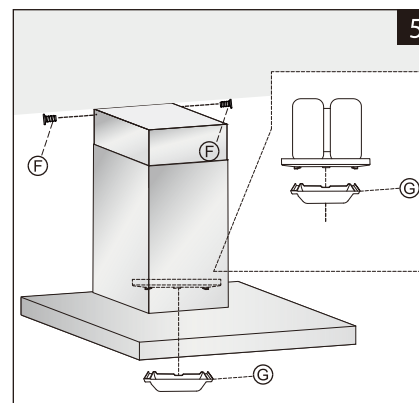
- (A) 放進洞中。
- (B)-1放進洞中。

Product installation

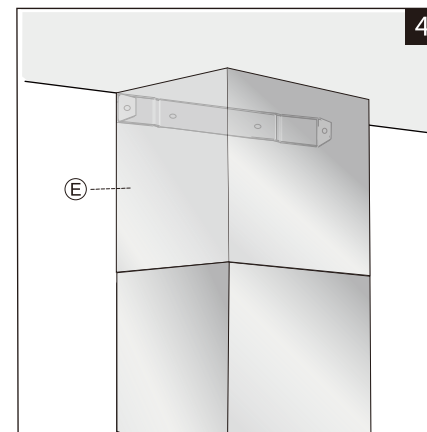


▶ Put (D) outside the two holes and then use (C) to tighten the plastic expansion bolt in order to secure (D).

Place the two key-shape holes of the upper part of the appliance motor close to the holes and use (B)-2 (the nut of the expanded metal screw) to tighten the appliance with the metal screw.



▶ There are two holes in the upper part of the two sides of the aluminium board, which should match the left and right small holes of (D). Use (F) to tighten the hanging board and install (G) grease cup into the appliance.



▶ Place (E) aluminium board to cover the motor.

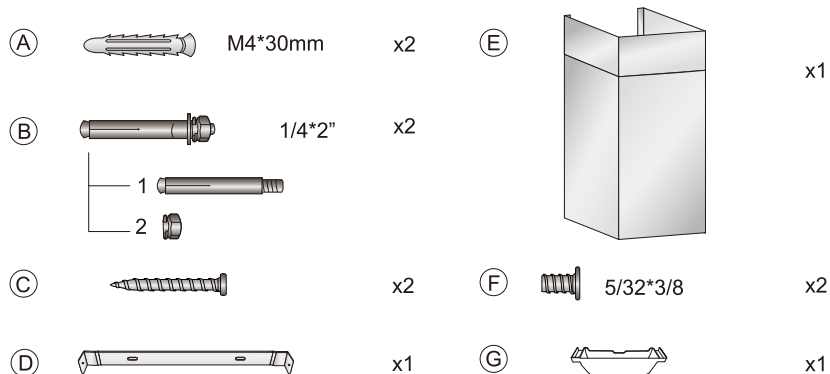
⚠ Attention:

Use plastic expansion bolt (A) to secure the hanging board; metal expansion screw (B) to secure the appliance. As the hanging board is light while the appliance is heavy, (A) and (B) are not interchangeable; otherwise the appliance may fall down and it is dangerous.

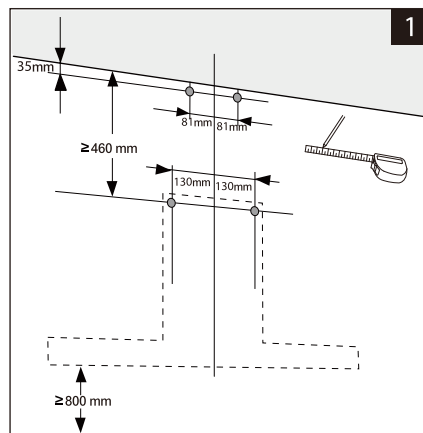
This installation process diagram is for reference only. For any problem on installation, please feel free to call the sole agent for consultation.

Product installation

Attached parts



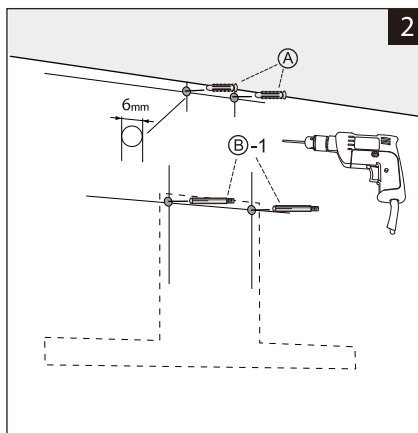
Installation process diagram



▶ On the chosen cement wall surface, draw a line in the middle from the ceiling to the bottom of the appliance.

From 35mm under the ceiling and 81mm on left and right from the middle line, draw a mark on each side.

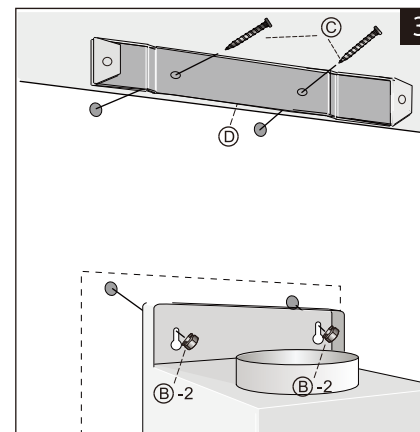
From no less than 460mm from the ceiling and 130mm on left and right from the middle line, draw a mark on each side.



▶ Drill a hole of 6mm onto each of the 4 marks and then:

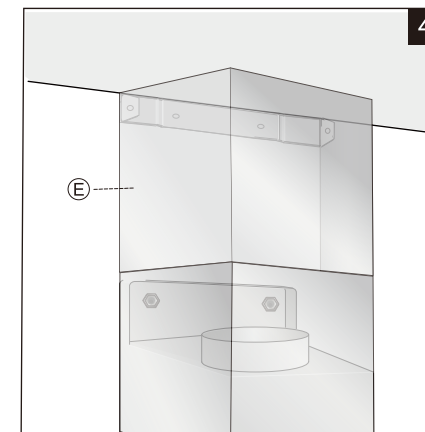
Put (A) onto the holes.
Put (B) onto the holes.

產品安裝

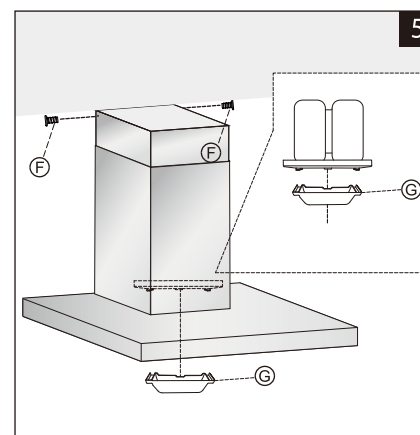


▶ 把 (D) 放置於洞外，並以 (C) 收緊膨脹塑膠栓，以固定 (D)。

把機體馬達上方的兩個鑰匙形狀的洞，貼近洞，並以 (B)-2 (膨脹金屬螺絲的螺帽) 收緊整合機體與膨脹金屬螺絲。



▶ 套上 (E) 鋁飾板，用於遮掩馬達之用。




▶ 於鋁管飾板兩側上方有兩個小洞，剛好吻合 (D) 左右方的小洞，用 (F) 把飾板及吊板收緊，並把 (G) 油杯安裝於機體中。

⚠ 注意:

以膨脹塑膠栓 (A) 固定吊片; 膨脹金屬螺絲 (B) 固定機體。因吊片重量輕, 機體重量重, 故 (A) 及 (B) 不能互換, 否則機體很有可能會墜下而發生危險。




安裝程序圖示, 僅作示意參考用。如有任何安裝上的問題, 歡迎致電總代理諮詢。




啟動機體

- ▶ 這些指引適合於幾個款式接近的型號。
- ▶ 當你開始煮食時，請啟動你的油煙機。當你完成煮食後，請繼續運行你的油煙機大約3-5分鐘，或按一下  以開啟甩油模式。這是最有效吸抽油煙的方法。此機體是直接轉換3段風速來改變排風量。

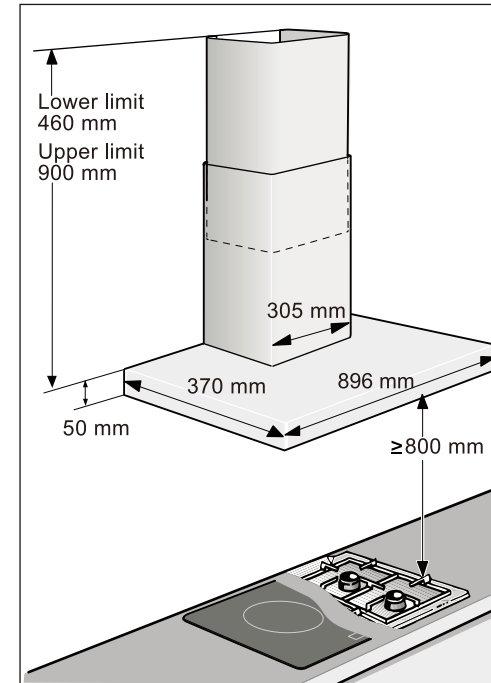
控制面板



-  機體電源開/關。
-  LED燈開/關。
- |1| 正常風速/
開啟正常風速或切換至正常風速。
- |2| 強力風速/
開啟強力風速或切換至強力風速。
- |3| TURBO風速/
開啟TURBO風速或切換至TURBO風速。
- ▶ 開機
按下  鍵1次
風機啟動後預設為|2|。
- 按下|1| 或|3|用以改變排風量。

- ▶ 開啟甩油模式
按下  鍵1次，會進入甩油模式，並維持3分鐘。3分鐘後，機體停止運作。
- ▶ 強制關機
按下  鍵2次，機體會跳過甩油模式，直接強制關機。
- ▶ TURBO風速設定
啟動TURBO風速時，馬達會以超高速運轉瞬間增強吸力，可應付大火快炒時瞬間所產生大量油煙。
- 按下|3|用以啟動TURBO風速。
- ▶ 照明設定
按下 ，LED燈可以獨立開關。

Appliance body dimension diagram



Product appearance, color and specifications are subject to change without prior notice, and the actual product shall prevail.

Installation overview

- ▶ Appliance installation: On the cement wall surface chosen as the installation location, drill a hole of 1/4" (diameter 6mm), take out the nut of the expanded metal screw, put the metal expansion bolt and plastic expansion bolt into the hole. After that, lock the nut with the backboard key-shape hole. Do not install directly onto calcium silicate board or any other decoration wood board which is not strengthened by wood corner!

Attention:

The installation of the exhaust pipe is for reference only. Construction must be done by professional engineers, or please consult the sole agent.

- ▶ Installation of the exhaust pipe: Put one end of the exhaust pipe into the duct and secure the other end of the exhaust pipe onto the outlet of the appliance. To ensure extraction capacity, it is recommendable to use exhaust pipe of 5.5inch. Exhaust pipe should be placed horizontally and over-length should be avoided (length of 1 to 1.8 meter is appropriate). If it cannot be placed horizontally, bending angle should be maximized and there should not be more than one bending in total. The outdoor exhaust pipe end must be facing down vertically for air evacuation and to avoid rain water and winding back from damaging the chimney hood.

Product installation

Installation attention notes

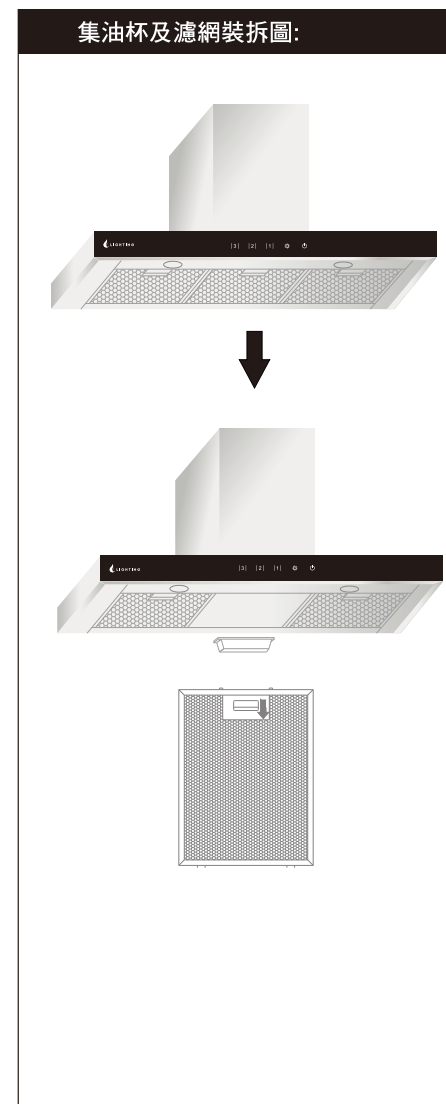
- ▶ If replacing old appliance with a new one, old screws for the previous chimney hood must be removed from the wall and replaced by new ones. This is to avoid any risks resulting from rusty, worn out or broken screws.
- ▶ The appliance must be balanced horizontally after being wall-mounted.
- ▶ The power plug must have ground wire. It must be unplugged during installation.
- ▶ To avoid danger, the ground wire must not be connected to water pipe, inflammable gas pipe or telephone wire etc.
- ▶ In the surrounding area for chimney hood installation, abundant air circulation caused by open door and window should be minimized, with this the chimney hood may not perform its extraction function as well as it should.
- ▶ The chimney hood and all the various parts must be installed securely; otherwise it may result in danger.
- ▶ This appliance must be installed correctly according to this manual before it can be used. The installer bears the responsibility to ensure that the appliance is in a safe and proper location hence installation can proceed and to ensure that the appliance can work as normal after installation.
- ▶ This appliance can only be used at home in Hong Kong and Macau. This appliance cannot be installed outdoors and cannot be used without human presence. The agent will not bear any responsibility for any appliance malfunction arising out of improper usage or improper installation.
- ▶ Please prevent children or people with mental problem from touching or operating this appliance. Please take care of children and prevent them from playing near the appliance. The cleaning and maintenance process for this appliance cannot be done by children.
- ▶ Please check immediately if there is any breakage or damage on the appliance once it is unpacked. Please stop all installation process if the appliance is damaged.
- ▶ Please check if all the attached materials like warranty certificate, manual are intact (as listed on Page 5) once it is unpacked. Please refer to the installation process diagram on Page 5. The installation explanation about the chimney hood diagram is for reference only.
- ▶ Please test if various parts can function properly with power connection before installation (motor can run, light can be turned on). Never insert hands or any materials into the inside part of the chimney hood as touching of the mechanical fan can cause danger or appliance damage.

Attention:

It is not recommendable to use external timer for the operation of this appliance.

保養 / 清潔方法

清潔油杯及濾網



- ▶ 請依使用頻率約一至三天清洗鋁濾網一次。
- ▶ 將濾網卡榫往後推即可將濾網拆下（如圖）。裝回時，只須將濾網下緣卡榫置入油機本體缺口，再將卡榫往後推即可裝回。

清洗方法：

清洗時可用熱水沖洗表面及使用布輕拭濾網後，擦乾即可。

油污份量過多不易清洗時，可將濾網置於滾水鍋內沸騰一分鐘即可將油污去除。

每餐煮食完畢即沖洗濾網，可常保濾網潔淨與吸力順暢。

建議不定期更換新濾網。（請洽經銷商）

注意:

請經常清洗濾網，可保持抽油煙機之最佳排煙效果。

經常清洗濾網可免除濾網內油污份量過多，導致油污經由煮食時遇熱溶化滴油。

建議每回煮食完畢，請以熱水沾濕抹布，擦拭主體下方邊框以免油污附著，導致遇熱溶化滴油之可能。

嚴禁抽油煙機下方煮食燒酒雞或鍋內點燃之物品，以免火焰被吸入產生危險及燒毀油機本體及濾網。

故障排除

使用時，如發現產品操作上有問題，在維修前請先對照下表進行檢查及處理。

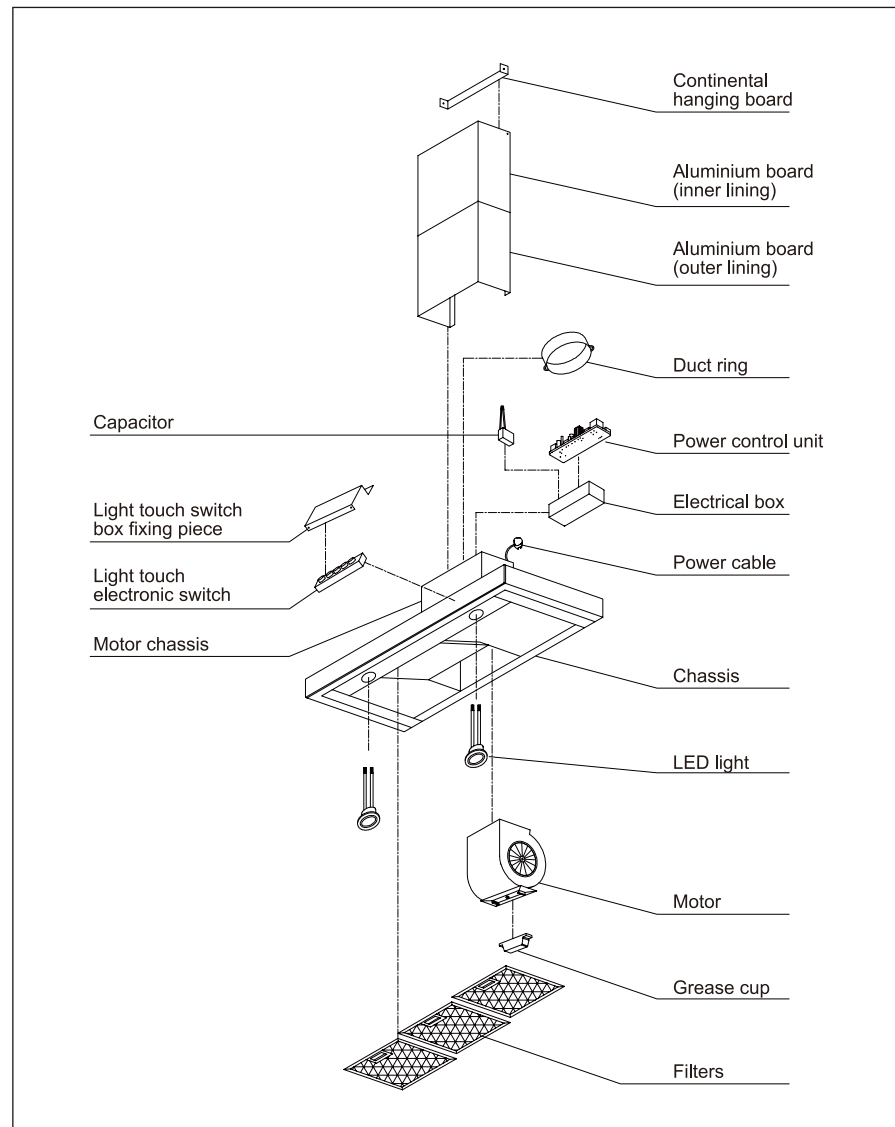
狀況	可能的原因	解決方法
抽油煙機不能啟動	未能正確啟動 停電 未接上電源	是否已觸按面板上的開關按鈕 檢查廚房其他家電是否運作正常 將設備連接到電力供應源
吸力不夠	機體與爐面的距離太遠 空氣對流太大 排風管過長或彎位太多 室外風力太強	安裝距離，請參考"產品安裝" 開啟門窗是否太多，適當地減少門窗 開啟排風管安裝，請參考"產品安裝" 檢查室外排氣喉
抽油煙機有異常聲響或震動	過濾網安裝不妥 過濾網積滿油垢 油杯安裝不當	檢查濾網卡榫是否置入油煙機卡榫位 清洗濾網 檢查油杯是否正確安裝
照明燈閃動/不能啟動	照明燈故障	請洽服務人員
控制面板異常	控制面板故障	請洽服務人員
機體滴油/滲油	濾網內油污份量過多 機身不平衡	清洗濾網 檢查機身是否水平

注意:

如以上問題仍未解決，請關上電源開關或獨立開關掣，並聯絡總代理，並確保在檢查或維修時可出示有效的保修證及收據。切勿自行拆卸及修理產品，避免產生觸電危險及對產品造成損害。

Product structure

Note: The structure of various models is similar in general. The following picture is for reference only.



Safety attention notes

Please read before installation and usage

- ▶ Please place the cooking utensil onto the stove before switching on the chimney hood. Never let stove fire heat the chimney hood directly.
- ▶ Never use gasoline, benzene, solvent or any similar chemical solution to clean the chimney hood.
- ▶ Never put fire on the cooking utensil by for example sprinkling inflammable seasoning like alcohol onto cooked food. This is to avoid burning the appliance and other hazard.
- ▶ Never put any material (for example needle or metal wire) into the filters.
- ▶ Stop usage and switch off the chimney hood immediately once cooking oil is on fire.
- ▶ Never operate the product, insert or unplug the power plug with wet hands.
- ▶ If the product is damaged or hit by outward force violently, please stop using it immediately. Turn off the power, unplug the power plug or switch off the independent switch of the fixed line. This is to avoid risk like electric shock, short circuit or fire hazard, etc. Please contact the sole agent immediately to arrange checking and repair.
- ▶ Never leave the power cord on the table or the edge of the cabinet or any heated surface. Never operate the product while the power cord is tangled; otherwise it will accelerate the wearing out of the power cord.
- ▶ Never dismantle or try to repair or change this product. For repair, please contact the service personnel of the sole agent.
- ▶ If there is any damage on the attached electric wire, to avoid danger, the sole agent must be contacted for maintenance exchange.
- ▶ Please follow ways of using and cleaning the chimney hood suggested in this manual strictly to avoid hazard.
- ▶ Use this product exclusively as a chimney hood. Never use this for any other purpose. (If using this product for any other purpose, there may result in malfunction and risks.)
- ▶ Power must be switched off and the power plug is unplugged before cleaning.
- ▶ When there is any malfunction on the appliance or on the parts and operation cannot run as normal, to avoid hazard, never operate or change any parts or components on your own.
- ▶ Please switch off the power before taking down the filters and grease cup.
- ▶ Never sprinkle any water or cleaning detergent onto the motor or control board.
- ▶ When changing the light, please unplug the power plug and wait for the light bulb to cool down before changing it (around 20 minutes) to avoid scald.



Attention:

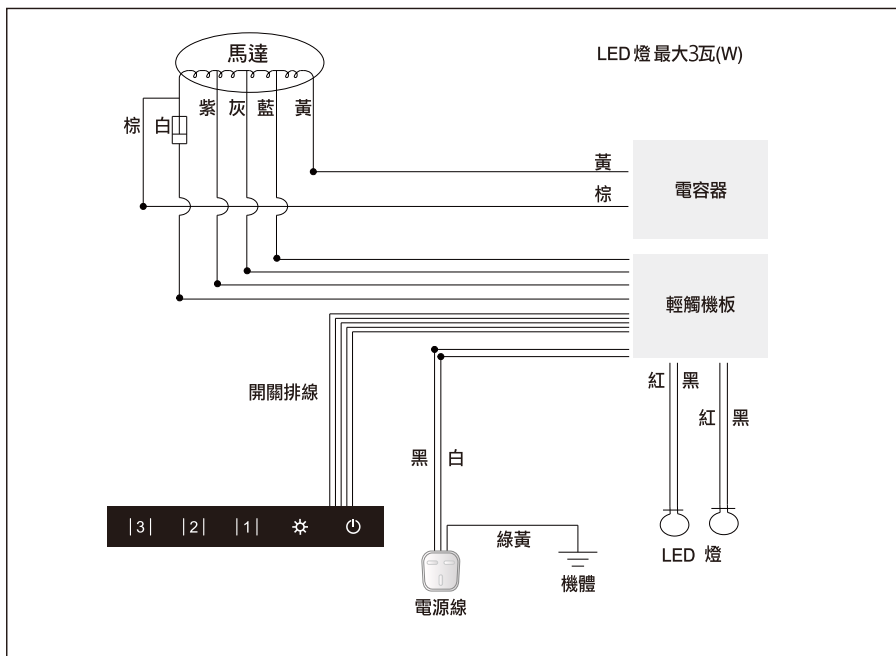
During cooking, the appliance may become hot, please do not touch.

產品規格

型號	LG-480S9
馬達規格	45/2P馬達x1
額定電壓	220(V)-240(V) / 50(Hz)
額定功率	335(W)
照明	3(W)LED x 2
機體尺寸 (闊x深x高)	896 x 370 x 350 (mm)
包裝尺寸 (闊x深x高)	1050 x 525 x 575 (mm)
淨重	11.8 KG
毛重	15.8 KG
產地	台灣

規格如有更改，恕不另行通知

電路圖結構



註：各型號的結構大致相同，圖片僅供參考。
規格如有更改，恕不另行通知。

⚠ 注意：

電路圖只供給參考，切勿自行拆卸及修理產品，避免產生觸電危險及對產品造成損害，如有任何問題歡迎聯絡總代理，安排專業技術人員上門檢查及修理。

重要安全訊息

- ⚠ **窒息危機** 包裝物料有機會對小童造成危險。不要讓小童在包裝物料附近遊玩。
- ⚠ **排氣危機** 若機體正進行排氣模式，請確保該室內環境有充足的新鮮空氣。若空氣不足，有機會造成局部真空，甚至引致廢氣回流。任何情況之下，請詢問代理商。
- ⚠ **過熱危機** 此機體於運作排風時，溫度有機會上升。請不要觸摸熱的部份。
- ⚠ **受傷危機** 機體內的零件可能有尖銳邊緣，請小心觸碰。請不要放置任何物品於機體上，機體運作時引致的輕微震盪有機會令物件掉落。
- ⚠ **注意強光** LED燈所發出的燈光極為耀眼，亦能傷害眼睛。請避免直接注視已開啟的LED燈。

備註

本說明書資料上所有內容經過反覆核對，如有任何印刷及內容上的誤解，總代理將保留解釋權。

本產品若有技術改進，會編進新版說明書中，恕不另行通知；產品外觀、顏色及規格如有改動，均以實物為準。

對本產品有任何問題，歡迎聯絡星暉代理。如欲了解更多星暉其他產品及對產品有任何意見，可瀏覽星暉網址：<https://lightinggas.com.hk/>