



星暉爐具貿易有限公司

LIGHTING GAS STOVES TRADING LTD.

隱藏嵌入式抽油煙機

Built-in range hood

LG-490S7

LG-490S9

用戶手冊

User's Manual



星暉爐具貿易有限公司

LIGHTING GAS STOVES TRADING LTD.

荃灣半山街10-16號富華工業大廈13樓C&D室  
Flat C&D, 13/F, Fou Wah Industrial Building  
10-16 Pun Shan St  
Tsuen Wan, Hong Kong

Tel: (852) 2490 0073 Fax: (852) 2490 1121 ☎: (852) 6110 0949

星期一至五, 9am - 6pm

星期六, 9am - 1pm

星期日及公眾假期休息

本資料上所有內容均經過認真核對, 如產品規格及設計有更改或者內容上的誤解, 本公司保留解釋權。

All information printed have been checked through to be correct. Product specifications and design if changed or any misunderstanding of the content, we reserve the right of explanations.

感謝您購買本公司的產品, 使用產品前, 請務必注意安全操作須知。請在閱讀後, 妥善保管好說明書, 以備查閱。因為本公司的產品不斷改進, 如有變更, 恕不另行通知。

Thank you for purchasing our product. Before using the product make sure that you have followed the safety instructions. Please keep this manual for future reference. There will be increase improvements on our products. Information is subject to change without prior notice.

香港荃灣半山街10-16號富華工業大廈13樓C&D室

Flat C&D, 13/F, Fou Wah Industrial Building, 10-16 Pun Shan St, Tsuen Wan, Hong Kong

Tel: (852) 2490 0073 Fax: (852) 2490 1121 ☎: (852) 6110 0949 www.lightinggas.com.hk

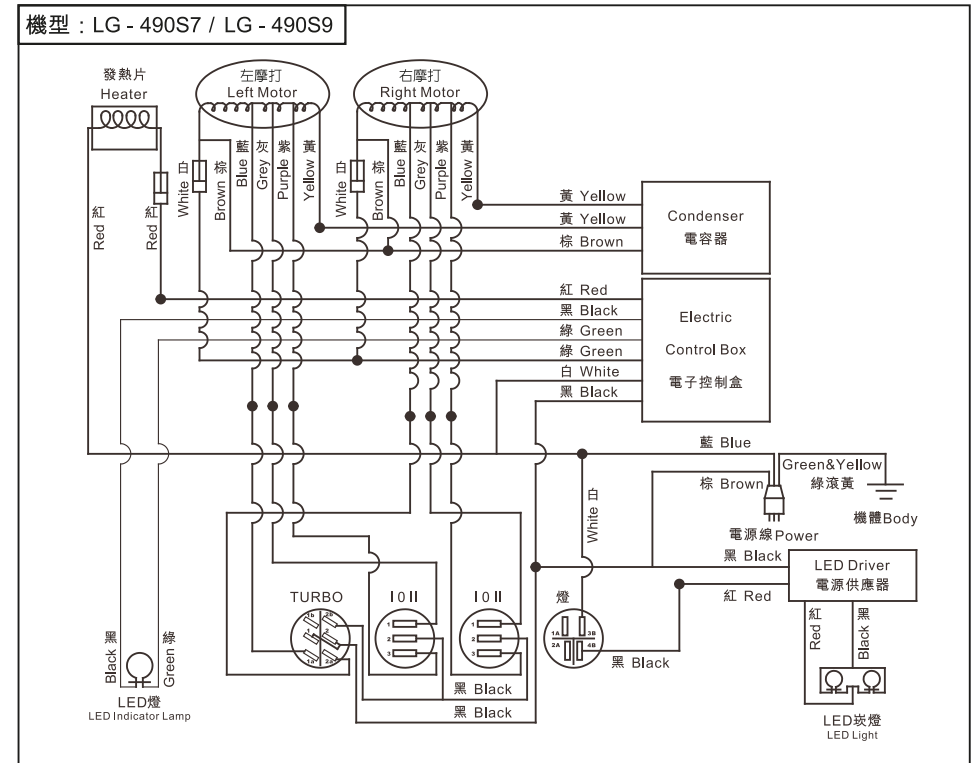
親愛的客戶：

非常感謝您選購LIGHTING抽油煙機，為了您能更清晰了解此機體的功能，並安全及正確地操作此機體，請於使用前先詳細閱讀本說明書。請保留此操作及安裝說明書以作日後操作及使用。

Dear Consumers:

Thank you very much for choosing LIGHTING's range hood. In order for you to understand the functions of this appliance more clearly and for your safe and correct operation of this appliance, please read this manual thoroughly before usage. Please keep this operation and installation manual for future usage and reference.

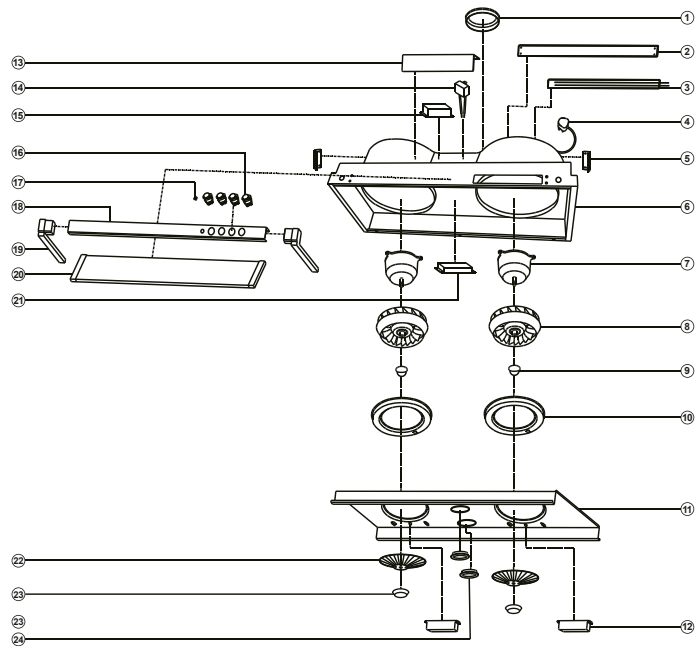
## 8 配線圖 / Circuit diagram



## 8 性能參數 / Specifications

型號 Model	LG-490S7	LG-490S9
重量 Weight (淨重NW/毛重GW)	14KG / 16KG	15.5KG / 17.5KG
機體尺寸 Machine Dimension (寬W x 深D x 高H)	700 x 320 x 184 mm	896 x 320 x 184 mm
包裝尺寸 Carton Dimension (長L x 寬W x 高H)	754 x 315 x 394 mm	957 x 315 x 394 mm
使用電壓 Voltage	220V~240V / 50Hz	
轉動方式 Rotation	雙摩打 Twin Motors	
出風口徑 Diameter Of Duct Hole	152mm	
照明 Illumination	LED 3W x 2	
摩打耗電量 Motor Consumption	190W	
電熱 Heater	50W	

- 參數如有更新，恕不通知
- Data might be subject to change without notice.



- ① 風管圈 TUBE JOINT
- ② 後吊板蓋板 HANDING BOARD COVER
- ③ 電熱片 HEATER
- ④ 電源線 POWER
- ⑤ 吊鐵 BRACKET
- ⑥ 機箱 BODY
- ⑦ 摩打 MOTOR
- ⑧ 風葉 FAN
- ⑨ 風葉心 FAN COVER
- ⑩ 集油盤 OIL COLLECTING TRAY
- ⑪ 底板 BASE PLATE
- ⑫ 油杯 OIL CUP
- ⑬ 風箱修飾板 COVER
- ⑭ 電容器 CONDENSER
- ⑮ 電子控制器 ELECTRONIC CONTROL
- ⑯ 開關 SWITCH
- ⑰ 電熱指示燈 HEATER LED
- ⑱ 開關面板 PANEL
- ⑲ 開關面板封角 PANEL COVER
- ⑳ 玻璃擋煙板 GLASS BAFFLE
- ㉑ 崁燈驅動器 LED DRIVER
- ㉒ 保護網 FAN GUARD
- ㉓ 小油杯 SMALL OIL TRAY
- ㉔ 崁燈 LAMP

1. 使用注意事項 Safety Guide

2. 安裝原則 Installation Procedure

3. 安裝施工說明 Product Installation

4. 使用方法 Operation of Your Machine

5. 保養 Maintenance

6. 異常狀況之處理 Trouble Shooting

7. 圖解 Parts Identification

8. 配線圖 & 性能表 Circuit diagram & Specifications

■ 本說明書內示意圖樣僅供參考，實際以實體為主。

■ The illustration in this booklet is just for reference, real machine status should be considered.

## 1 使用注意事項

1. 本機使用電源為220V~240V/50Hz。
2. 嚴禁煮食點燃之食品，以免火焰吸入產生危險及燒毀油煙機本體。
3. 當本機使用時，請注意安全。
4. 經常清潔油煙機，以免風扇油垢淤積，導致運轉不順暢。
5. 請勿用水直接沖洗，需以抹布擦拭。
6. 使用後請保持一分鐘運轉，可強制排出機內殘留油垢，延長使用壽命。
7. 烹飪時請同時啟動抽油煙機，防止人體吸入過量油煙，有礙健康。
8. 煮食時，此產品接近爐面的部份可能會較熱。
9. 若電源線有任何損壞，必須由代理商進行更換，以免造成危險。
10. 兒童應該被監督，以確保他們不會玩耍產品。
11. 本產品不預備給體能弱、反應遲緩或有精神障礙的人（包括兒童）或對產品缺乏操作經驗和知識的人使用，除非在有適當人員的監督或指導下才能使用，以負責使用者操作上之安全。
12. 當油煙機與氣體爐或其他燃料同時使用時，室內應有良好的通風，避免燃燒不完全發生。
13. 清潔週期：平均兩週至少清潔一次以上。經常清洗來自風扇及其它污染面的淤積物，經常排除及清潔或更換任何過濾裝置。
14. 若不按照說明書執行清潔工作，會有失火之危險。
15. 排出之氣體不得藉由其他或非本體排氣通道及煙囪通道排出。
16. 爐具或爐架與抽油煙機最低部分之最小距離限制：  
當抽油煙機置於氣體爐上，此距離最少為65CM。  
若氣體爐之安裝說明書規定更大之距離，必須列入考慮。
17. 須按當地法則使廢氣排出。
18. 警告！為避免觸電危險，更換燈膽時必須先拔掉電源插頭。

## 5 Maintenance

- \* Good maintenance gives the best performance and prolongs the life of machine. Please maintain your machine periodically.
- \* Turn off power supply before maintenance.  
Always keeps machine clean.  
After each use, please wipe machine housing and bottom cover plate with a dry cloth or a wet cloth with mild detergent.  
Always keeps machine clean in order to maintain appearance and performance.  
Empty dirty oil cups when they are 4/5 full of oil, to avoid over flow.  
(Please see front page mentioning the installation and detachment of oil cups)

## 6 Trouble Shooting

1. Be reminded of turning off power supply when trouble is caught, please contact our service department.
2. Disconnect the power supply before servicing.

Status	Causes and Methods of Repairing
Power supply cord is out of order	Please contact the solo agency for repair service
The bulb works but the motor doesn't run	A. Remove the fan guard and rotate fan by hand. Check if the fan is stuck, in this case, please clean the fan. B. If not, please contact service center.
Machine vibration	Please contact the solo agency for repair service
Suction becomes weak	A. The distance between range hood and cooker top is too far away. B. Too many doors or windows around the hood to cause convection. Please refer to the Installation Procedures and Safety Guides for good installation.
Machine installed not horizontally	A. If machine is inclined to lateral side, just adjust hanger kits of both sides to equal height. B. If machine is inclined to forward side, check if screws fitted to hanger kits are loosen or disconnected.

維修中心電話：2490 0476  
Service Centre Hotline

Office Hour  
Monday to Friday : 9:00am - 1:00pm / 2:00pm - 6:00pm  
Saturday : 9:00am - 1:00pm  
Closed on Sunday and public holiday

## 5 保養

- ★ 為發揮本機最佳性能，延長其使用壽命，應經常注意保養。
- ★ 保養維修時應將插頭拔掉，切斷電源！

### A. 保養重於維修：

常保機體外部潔淨：

使用後請用乾布或沾有中性清潔劑之抹布，擦拭機體外殼與底板，經常保持乾淨以維護其美觀及衛生。

### B. 清除積存之油污：

當集油杯內所盛之油汁已達八分滿，須隨時將油汁倒掉，以免有溢出的可能。  
(集油杯如何拆裝已於使用方法中敘述)

## 6 異常狀況之處理

1. 使用中發現異常狀況時，請將開關電源切掉，並洽請代理商至府上維修。
2. 處理異常狀況時請將開關電源切掉。

狀況	原因及處置方法
電源線損壞	請洽代理商至府上維修。
燈亮 摩打不轉	A. 拆下立體濾油網(保護網)，用手轉動風葉，如轉不動，查看風葉是否卡住。若是，請調整風葉。 B. 如風葉用手輕動皆能運轉自如。 請洽代理商至府上維修。
機體震動	請洽代理商至府上維修。
吸力不強	A. 抽油煙機與爐面的距離太高。 B. 抽油煙機周圍環境門窗通風多，對流太大。 參考安裝原則及安裝注意事項進行安裝
機體 裝設歪斜	A. 如系左右歪斜則由吊鐵調整左右高度。 B. 如系向前傾斜，查看吊鐵固定於機體的螺絲是否鬆落。

維修中心電話：2490 0476  
Service Centre Hotline

辦公時間：

星期一至五：9:00am - 1:00pm / 2:00pm - 6:00pm

星期六：9:00am - 1:00pm

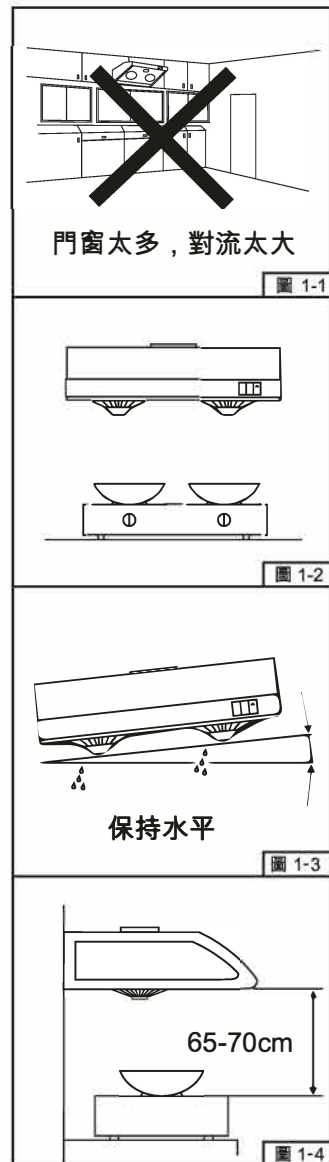
星期日及公眾假期休息

## 1 Safety Guide

1. The hood is for 220V~240V/50Hz only.
2. Please do not flame under the range hood, combustion will be exhausted by fan to damage the hood.
3. Pay attention while the hood is operating.
4. Clean up your hood frequently to avoid the fan loading too heavy to fail.
5. Do not wash the hood by water directly, please mop it by cloth.
6. Keep one-minute rotation after use to emit fume and oil inside.
7. Please start the hood while cooking to protect your health.
8. Accessible parts may become hot when used with cooking appliances.
9. If the power cord is damaged, it must be replaced by the sole agent in order to avoid a hazard.
10. Children should be supervised to ensure that they do not play with the appliance.
11. This appliance is not intended for use by persons(including children) with reduced physical, sensory or mental capabilities, or lack of experience and knowledge, unless they have been given supervision or instruction concerning use of the appliance by a person responsible for their safety.
12. There shall be adequate ventilation of the room when the range hood is used at the same time as appliances burning gas or other fuels.
13. Grease deposits in the grease filter/guard may catch fire. Clean the filter at least every 2 weeks. Never operate the appliance without the filter guard.
14. There is a fire risk if cleaning is not carried out in accordance with the instructions.
15. The air must not be discharged into a flue that used for exhausting fumes from appliances burning gas or other fuels.
16. The minimum distance between the supporting surfaces for the cooking vessels on the hob and the lowest part of the range hood shall be at least 65cm.
17. Local regulation concerning the discharge of air have to be fulfilled.
18. WARNING : Ensure that the appliance is switched off before replacing the lamp to avoid the possibility of electric shock.

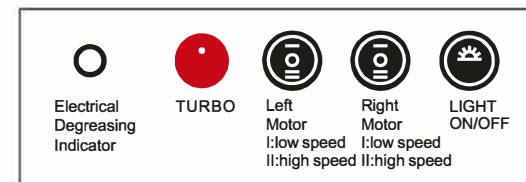
## 2 安裝原則

1. 抽油煙機安裝之周圍，應避免門窗過多而產生空氣對流太大，則無法發揮其排油排煙之效果。  
(圖1-1)
2. 當抽油煙機與其他煮食爐同時操作時，請保持室內空氣流通。
3. 抽油煙機安裝於爐台之正上方。(圖1-2)
4. 安裝後之機體不能歪斜應保持水平，否則集油盤(或集油杯)內積油將傾向單邊而溢出機體外。  
(圖1-3)
5. 排風出口至機體之距離，應盡量避免過長，以免氣流擠壓於管內，影響其排風效果。
6. 抽油煙機之安裝高度是以爐面至機體前緣端面之距離，高度為65-70cm。(圖1-4)
7. 排氣管安裝時，不得與其他氣體燃料爐之排放口安裝在同一煙囪之通道內。
8. 請確認綠色接地線是否與地面連結，並遠離電線路及氣體管路。



## 4 Operation of Your Machine

1. Operation:  
the switch as follows:



2. Intelligent electrical degreasing:

This product is equipped with the latest intelligent electrical degreasing function. When the user turns on the range hood motor, the controller starts to monitor the operation. When the user turns off the range hood motor, the electrical degreasing function starts automatically without manual operation. The longer the range hood is operated, the longer the time for electrical degreasing:

Running time of range hood	Time of electrical degreasing
0~15 mins	Not operated
16~40 mins	5 mins
41~70 mins	10 mins
71 mins or above	15 mins

3. Assembly and disassembly of oil cups:

- . When the oil cup is 80% full of oil, detach the coil cups and drain the oil. Clean the parts with detergent and attach back to the original position.
- . Pull out the oil cup by hand. After cleaning, put the oil cup back into proper position, ensure the drain hole is not blocked.

4. This machine can be used as a ventilator:

This machine can remove soot in the kitchen, but also can be used as a ventilator to enhance indoor air circulation.

5. Cleaning method:

Note:

Cut the power before cleaning the cooker hood.

When cleaning, surfaces can be wiped with a soft cloth and neutral detergent. Avoid to scrape the inner and outer surfaces.

## 4 使用方法

1. 本機之操作：  
按鍵說明：



2. 全智能電熱除油：

本產品配合最新全智能電熱除油控制器，當消費者開啟抽油煙機摩打時，控制器內的CPU即開始自行監控運算，當消費者關閉抽油煙機摩打時，即自動啟動電熱除油，消費者不須要再開啟電熱除油，抽油煙機使用的時間愈長，電熱除油的時間也愈長。

抽油煙機摩打運轉時間	電熱除油時間
0~15分	不啟動
16~40分	5分
41~70分	10分
71分以上	15分

3. 集油杯之裝拆：

- 當集油杯內所盛之油汁已達八分滿，須將油汁倒掉後用清潔劑清洗，再裝回原固定位置。
- 集油杯取出時只需用手將集油杯拉出來，裝回時將集油杯置之油杯孔內，推入至底即可。

4. 本機可當排風機使用：

本機不僅使用於排除廚房的油煙氣，平時亦可作排風機使用，調節並維持室內清新的空氣。

5. 清潔方法：

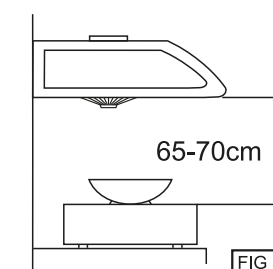
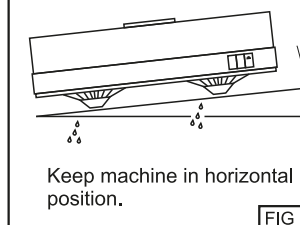
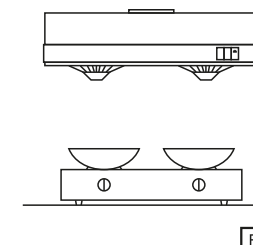
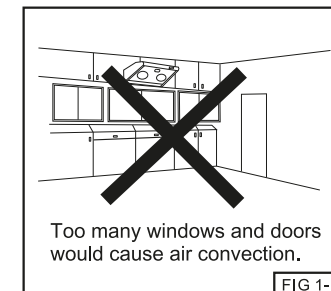
注意：

**清潔抽油煙機前應先切斷電源。**

清潔時，可用軟布沾中性清潔劑擦拭並用水擦拭，應避免刮花機體內外表面。

## 2 Installation Procedure

- Too many windows and doors surrounds machine will cause air convection, affecting performance of air-exhaust (Fig1-1).
- There shall be adequate ventilation of the room when the range hood is used with appliances burning gas or other fuels at the same time.
- Machine shall be installed on frontal upper side of cooking area (Fig 1-2).
- After installation, machine shall be kept in horizontal position, otherwise grease in oil collectors (either round or square ones) will be going to lower side and pouring out of collectors (Fig1-3).
- Distance between exhaust vent and machine shall be suitable in avoiding air flow going inside of pipe to affect good efficiency of air exhaust.
- Keep 65 -70cm height between cooking surface and vertical front of machine (Fig1-4).
- Exhaust air must not be discharged into a flue which is used for exhausting fumes from appliances burning gas or other fuels.
- Please ensure the green grounding wire connect to ground and keep away from electrical cable or gas pipe.



### 3 安裝施工說明 (吊掛安裝)

注意：有關排氣管之裝設，以下說明僅供參考，施工需請專業人員處理或洽代理商。

1. 打開紙箱檢視保證書、說明書、風管座...等附件屬配件是否齊全。
2. 安裝前先接上電源操作開關上之各項功能是否正常(摩打運轉)安裝時必需斷開電源。
3. 將機體兩側之掛鈎(吊鐵)螺絲轉鬆拉出掛鈎後再鎖緊螺絲。
4. 在已定的安裝位置上，以鑽頭鑽孔，將拉爆螺絲敲入孔內，轉緊螺帽撐開拉爆螺絲後轉下螺帽，配合機體掛鈎(吊鐵)鑰匙孔之孔位吊掛後鎖緊螺帽。(圖2-1)
5. 懸掛後機體要保持一定水平，可調整機體兩側之掛鈎(吊鐵)螺絲。
6. 裝設排氣喉管：  
將排氣喉管之一端套入合適之風管座，並將風管座端固定於機體出風口，將排氣喉管另一端固定於排氣孔上。
7. 有關排氣喉管安裝及喉管穿牆鑽洞位置，施工須請專業人員處理或洽代理商。

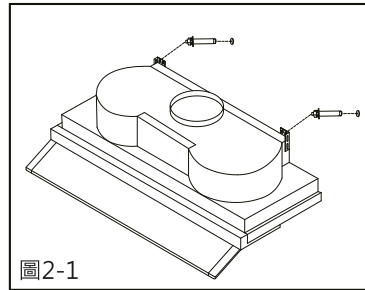


圖2-1

### 3 安裝施工說明 (層板安裝)

1. 打開紙箱檢視保證書、說明書、風管座...等附件屬配件是否齊全。
2. 安裝前先接上電源操作開關上之各項功能是否正常(摩打運轉)。安裝時必需斷開電源。
3. 廚櫃層板請依所附安裝圖紙板鑽孔之後將油機對準層板孔位以螺絲及介子鎖合固定。(圖2-2)
4. 裝設排氣喉管：  
將排氣喉管之一端套入合適之風管座，並將風管座端固定於機體出風口，將排氣喉管另一端固定於排氣孔上。
5. 有關排氣喉管安裝及喉管穿牆鑽洞位置，施工須請專業人員處理或洽代理商。

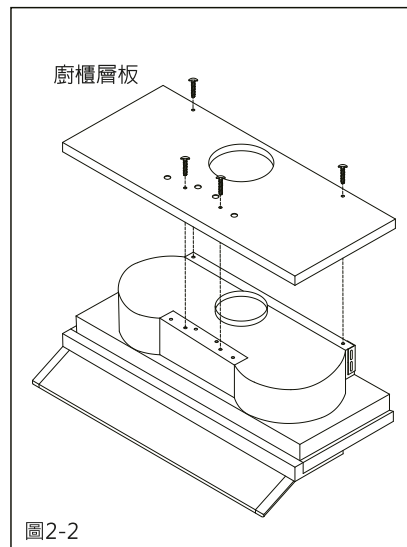


圖2-2

### 3 Product Installation (Wall Mount)

**Note and importance** : All the installation has to be done by a qualified person in accordance with instructions mentioned in this booklet. Please always contact the department of our agent if you have any questions.

1. Open packing carton to check warranty card, instruction booklet, pipe adapter and other accessories are not lost.
2. Before installation, check every functions of switching are going well condition (such as motor running, illumination). Cut the power before installation.
3. Loosen the screw and pull the hanging Bracket upward on both sides of the hood. Tighten the screws after the Bracket was adjusted for desired height.
4. Drill two holes on the wall for mounting the Bracket. Insert the provided expansion screw into the holes and tighten the nut. Loosen the nut after the expansion screw was fixed on wall, then hang the hood Brackets onto the expansion screws. Tighten the screw nut to fix the unit in position. (Fig. 2-1)
5. Adjust the Bracket height to ensure the hood in horizontal position.
6. Installation of Exhaust Pipe:  
Insert one side of exhaust pipe to the Tube Joint fitted on the top vent of machine. Then, another side of pipe is fitted to go through exhaust hole.
7. Contact qualified person for installation of hood and pipe.

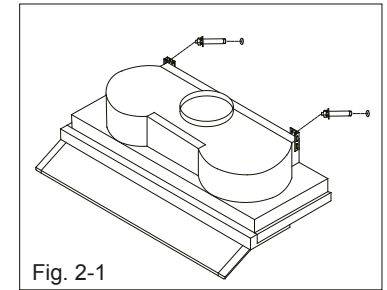


Fig. 2-1

### 3 Product Installation (Under Cabinet)

1. Open packing carton to check warranty card, instruction booklet, pipe adapter and other accessories are not lost.
2. Before installation, check every functions of switching are going well condition (such as motor running, illumination). Cut the power before installation.
3. Using the provided drawing cardboard to drill holes under the cabinet. Install the unit with screws and washer as shown in the figure. (Fig. 2-2)
4. Installation of Exhaust Pipe:  
Insert one side of exhaust pipe to the Tube Joint fitted on the top vent of machine. Then, another side of pipe is fitted to go through exhaust hole.
5. Contact qualified person for installation of hood and pipe.

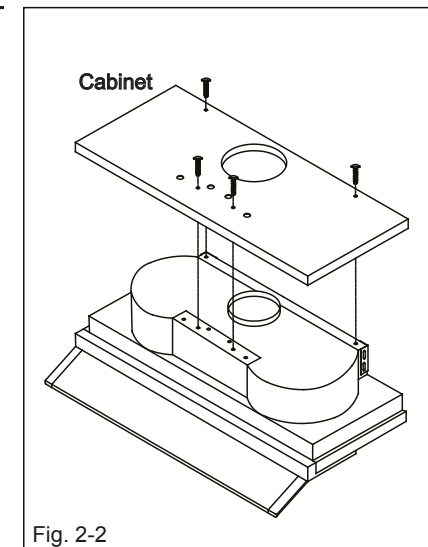


Fig. 2-2